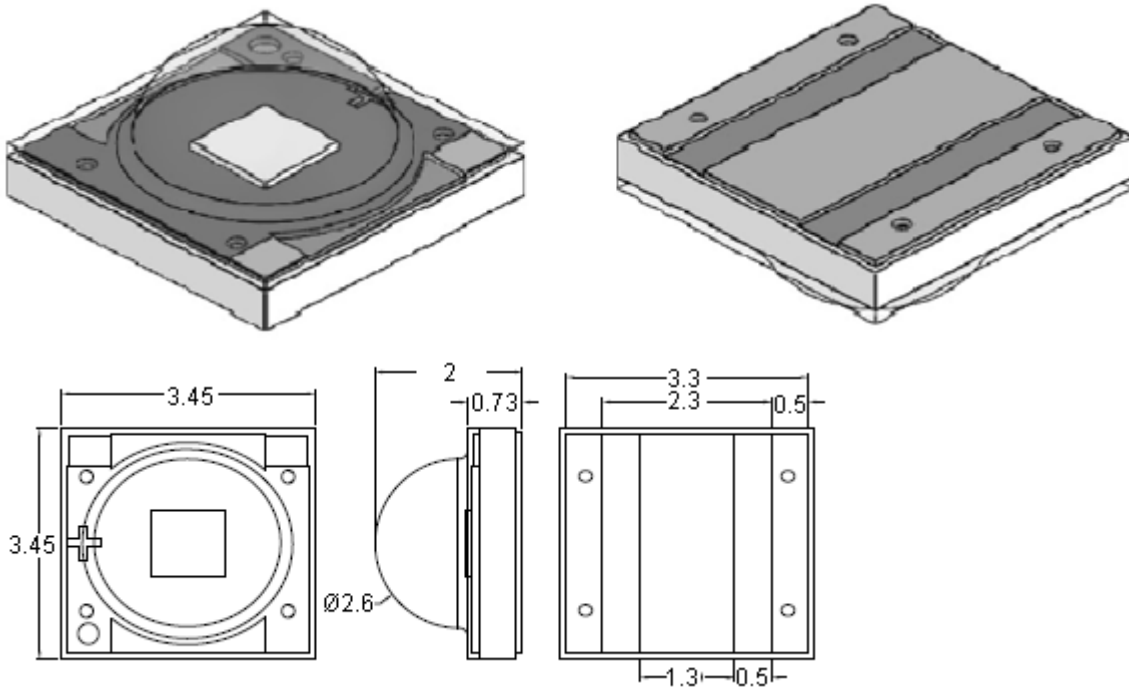


Hi Bright XP LEDs



Dimensions : Millimetres

Figure 1

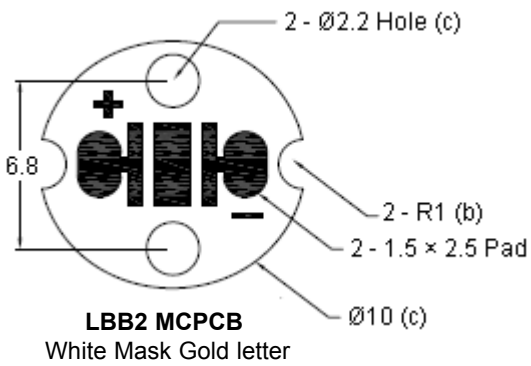
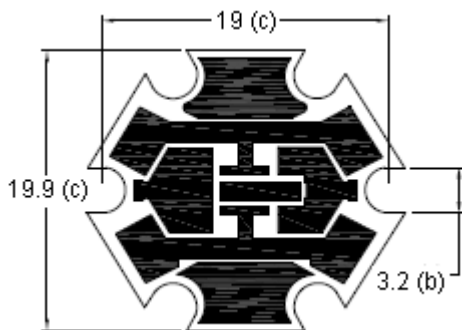


Figure 2



STAR MCPCB
White Mask Gold letter

Dimensions : Millimetres

Hi Bright XP LEDs



Specification Table

BRD	BRD Thickness	LED Colours	LED Colour Bins	LED Flux Code	LED Lumen (Minimum)	LED VF (Typical) at 350 mA	LED Viewing Angle	Part Number		
10 mm Figure 1	2 mm	Cool White	WC, WD, WG, WF	P4	80.6 lm	3.4 V	110°	XPCWHT-L1-0000-00902-LBB2		
		Neutral White	4A, 4B, 4C, 4D	P3	73.9 lm			XPCWHT-L1-0000-008E4-LBB2		
		Warm White	7A, 7B, 7C, 7D	P2	67.2 lm			XPCWHT-L1-0000-007E7-LBB2		
		Cool White	WC, WD, WG, WF	Q4	100 lm	3.2 V	115°	XPEWHT-L1-0000-00C02-LBB2		
								Q5	107 lm	XPEWHT-L1-0000-00D02-LBB2
										R2
				Neutral White	4A, 4B, 4C, 4D			Q3	93.9 lm	XPEWHT-L1-0000-00BE4-LBB2
				Warm White	7A, 7B, 7C, 7D			P4	80.6 lm	XPEWHT-L1-0000-009E7-LBB2
				Cool White	WC, WD, WG, WF			P4		XPCWHT-L1-0000-00902-STAR
Star Figure 2	2 mm	Neutral White	4A, 4B, 4C, 4D	P3	73.9 lm	3.4 V	110°	XPCWHT-L1-0000-008E4-STAR		
		Warm White	7A, 7B, 7C, 7D	P2	67.2 lm			XPCWHT-L1-0000-007E7-STAR		
		Cool White	WC, WD, WG, WF	P4	80.6 lm			XPCWHT-L1-0000-00902-STAR		
		Cool White	WC, WD, WG, WF	Q4	100 lm	3.2 V	115°	XPEWHT-L1-0000-00C02-STAR		
								Q5	107 lm	XPEWHT-L1-0000-00D02-STAR
										R2
		Neutral White	4A, 4B, 4C, 4D	Q3	93.9 lm			XPEWHT-L1-0000-00BE4-STAR		
		Warm White	7A, 7B, 7C, 7D	P4	80.6 lm			XPEWHT-L1-0000-009E7-STAR		

Important Notice : This data sheet and its contents (the "Information") belong to the members of the Premier Farnell group of companies (the "Group") or are licensed to it. No licence is granted for the use of it other than for information purposes in connection with the products to which it relates. No licence of any intellectual property rights is granted. The Information is subject to change without notice and replaces all data sheets previously supplied. The Information supplied is believed to be accurate but the Group assumes no responsibility for its accuracy or completeness, any error in or omission from it or for any use made of it. Users of this data sheet should check for themselves the Information and the suitability of the products for their purpose and not make any assumptions based on information included or omitted. Liability for loss or damage resulting from any reliance on the Information or use of it (including liability resulting from negligence or where the Group was aware of the possibility of such loss or damage arising) is excluded. This will not operate to limit or restrict the Group's liability for death or personal injury resulting from its negligence. Multicomp is the registered trademark of the Group. © Premier Farnell plc 2012.