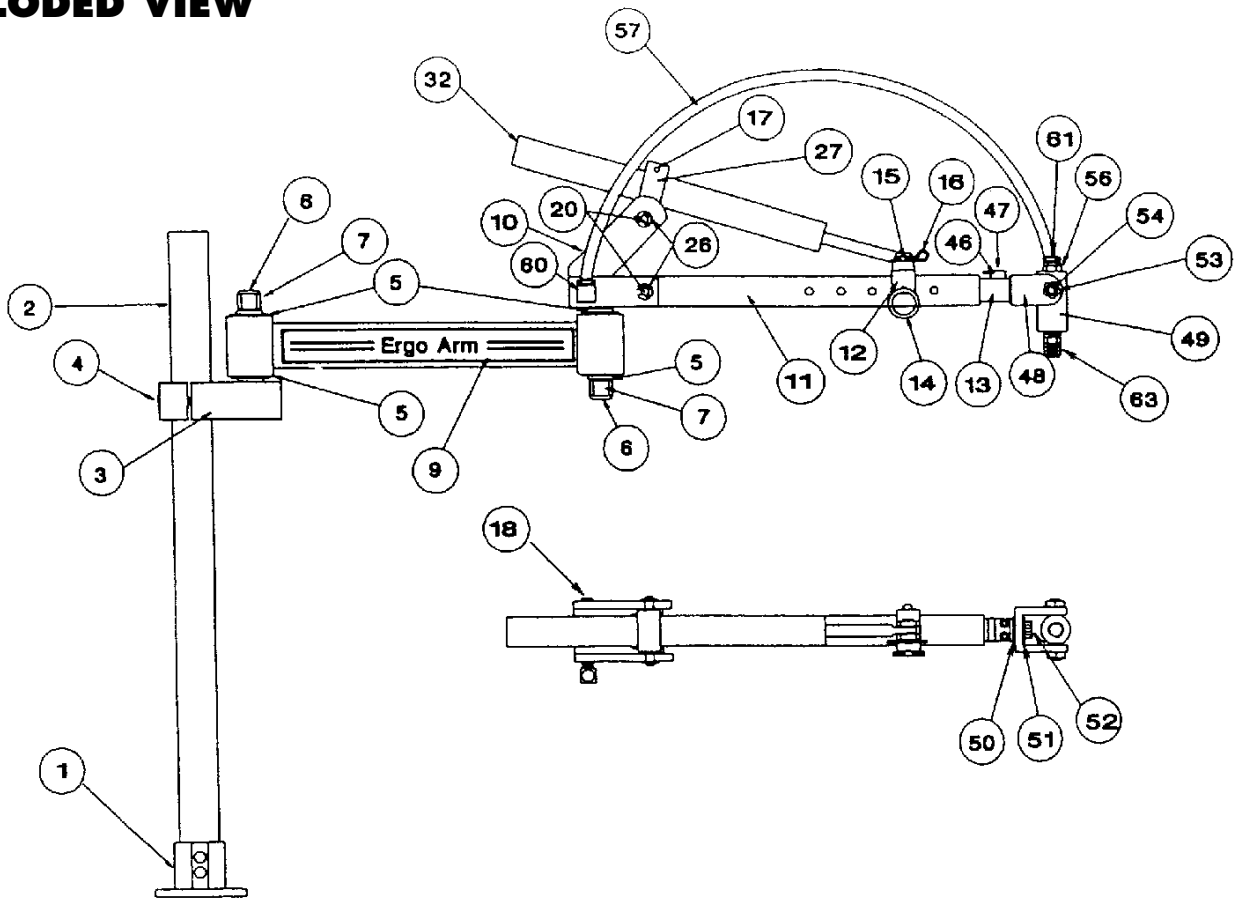


AD-D1098-S OIL CYLINDER ERGO-ARM

EXPLODED VIEW



PARTS LIST — FOR REFERENCE ONLY

Index Part No. No.	Description	Qty.
1	EA-14 Table Flange	1
2	EA-01 Post	1
3	EA-02 Shoulder Clamp	1
4	EA-44 1/4-20 X 1-1/4" Cap Screw	2
5	EA-03 Bearing	4
6	EA-04 1/2-13 X 4" Double Ended Stud	2
7	EA-05 1/2-13 Locking Nut	2
8	EA-21 Label	2
9	EA-06 Upper Arm	1
10	EA-07 Elbow	1
11	EA-10 Forearm	1
12	EA-09 Cyl. Mtg. Yoke Rod End	1
13	EA-11 Forearm Insert	1
14	EA-18 1/4" X 1-5/8" Cotterless Clevis Pin	1
15	EA-17 3/16 X 3/4" Clevis Pin	1
16	EA-13 Hair Pin Cotter	1
17	EA-20 8-32 X 1" Cap Screw	1

Index Part No. No.	Description	Qty.
18	EA-27 1/8" Pipe Plug	1
20	EA-37 1/4" X 2-5/16" Clevis Pin/Standard Arm	2
21	EA-35 Clevis Pin	2
22	EA-31 Bearing	6
23	EA-30 Bearing	4
24	EA-33 Bearing	2
25	EA-32 Bearing	2
26	EA-39 "E" Ring	8
27	EA-12 Cyl. Mtg. Clamp Body	1
32	EA-08 Oil Cylinder	1
46	EAS-102 Wrist Bracket Yoke Stop	1
47	EAS-108 8-32 X 1/2" Button Head Screw	2
48	EAS-101 Wrist Bracket Yoke	1
49	EAS-103 Tool Manifold	1
50	EAS-104 Bushing	1
51	EAS-104-1 3/8" Nylon Washer	1
52	EAS-106 3/8" X 1/2" Shoulder Bolt	1

Index Part No. No.	Description	Qty.
53	EAS-107 3/8" X16 Jam Nut	2
54	EAS-105 3/8"-16 X 3/4" Dog Point Set Screw	2
55	*EA-43 Nylon Tip Set Screw	1
56	EAS-113 1/4" X 1/4" Barb Fitting	1
57	EAS-114 1/4" Tubing 26" long	1
60	EAS-110 1/4" X 1/4" 90 Deg. Barb Fitting	1
61	EAS-112 3/8" #811 Hose Clamp	2
62	EAS-111 Air Hose Set	1
63	EAS-115 1/4" X 1/4" Hex Nipple	1

NOTES

* Part #EA-43 located under Part #EAS-102
EAP-202EDKit - Electric Tool mount for S/SAC arm.



AIMCO

When ordering spare parts, please specify tool type, part number and description.

10000 SE PINE, PORTLAND, OR 97216
503-254-6600 FAX 503-255-2615

AIMCO offers a complete line of Tool Support products.
Visit our website at www.aimco-global.com

REVISED 05/03