

Floor Guard

PANDUIT®

SPECIFICATION SHEET

specifications

Floor guard shall be designed to route cables over carpet, concrete, or tile to prevent accidental tripping. Cables shall route through the underside of the product. The flexible PVC material shall be easy to cut to specific/desired lengths for various applications.



technical information

Material:	Flexible PVC
Compliance:	RoHS compliant
Temperature standards:	Acrylic adhesive backing can withstand temperature extremes of -20°F to 180°F (-29°C to 82°C)

key features and benefits

Comprehensive offering	Available in convenient 5' strips and 25' and 50' rolls to accommodate various needs; available in a variety of colors to coordinate with any environment and improve aesthetics – Electric Ivory (EI), Black (BL), Brown (BR), Safety Yellow (YL)
PVC material	Durable, yet flexible; can easily be cut to specific lengths
One-piece extruded design	Allows for quick and easy installation; flat profile for unobtrusive appearance
Acrylic adhesive backing	Innovative design allows product to be applied securely, improving safety

applications

Recommended for any area in which there is a tripping hazard, Panduit floor guard is a useful and safe choice for gymnasiums or production floors. With its one-piece extruded design, it's suitable for hallways and any high-traffic areas. Floor guard also offers a convenient solution for open-space wiring of workstations in away-from-wall locations.

Wire Slot Size – 0.25" x 0.17"
(6.4mm x 4.3mm)

5-ft. lengths	
Electric Ivory:	FG1EI5.0-A
Black:	FG1BL5.0-A
Brown:	FG1BR5.0-A
Safety Yellow:	FG1YL5.0-A
50-ft. lengths	
Electric Ivory:	FG1EI50.0-A
Black:	FG1BL50.0-A
Brown:	FG1BR50.0-A
Safety Yellow:	FG1YL50.0-A

Wire Slot Size – 0.68" x 0.28"
(17.2mm x 7.1mm)

5-ft. lengths	
Electric Ivory:	FG3EI5.0-A
Black:	FG3BL5.0-A
Brown:	FG3BR5.0-A
Safety Yellow:	FG3YL5.0-A
50-ft. lengths	
Electric Ivory:	FG3EI50.0-A
Black:	FG3BL50.0-A
Brown:	FG3BR50.0-A
Safety Yellow:	FG3YL50.0-A

Wire Slot Size – 1.03" x 0.78"
(26.2mm x 19.8mm)

5-ft. lengths	
Electric Ivory:	FG5EI5.0-A
Black:	FG5BL5.0-A
Brown:	FG5BR5.0-A
Safety Yellow:	FG5YL5.0-A
25-ft. lengths	
Electric Ivory:	FG5EI25.0-A
Black:	FG5BL25.0-A
Brown:	FG5BR25.0-A
Safety Yellow:	FG5YL25.0-A

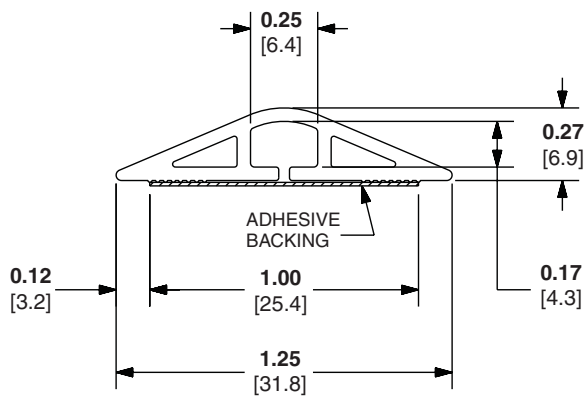
Floor Guard

Part Number	Part Description	Cable Capacity				Wire Slot Size		Length ft.	Std. Pkg. Qty.‡	Std. Ctn. Qty.‡
		Cat. 6A (SD) (0.240)	Cat. 6A (0.300)	Cat. 6 (0.240)	Cat.5e (0.225)	In.	mm			
FG1EI5.0-A*	Flexible vinyl material used to route cabling over carpet, tile, and concrete. Product available in 5' strips.	—	—	—	—	0.25 x 0.17	6.4 x 4.3	5	5	30
FG1EI50.0-A*	Flexible vinyl material used to route cabling over carpet, tile, and concrete. Product available in 50' rolls.	—	—	—	—	0.25 x 0.17	6.4 x 4.3	50	50	0
FG3EI5.0-A*	Flexible vinyl material used to route cabling over carpet, tile, and concrete. Product available in 5' strips.	2	1	2	2	0.68 x 0.28	17.2 x 7.1	5	5	30
FG3EI50.0-A*	Flexible vinyl material used to route cabling over carpet, tile, and concrete. Product available in 50' rolls.	2	1	2	2	0.68 x 0.28	17.2 x 7.1	50	50	0
FG5EI5.0-A*	Flexible vinyl material used to route cabling over carpet, tile, and concrete. Product available in 5' strips.	9	6	9	11	1.03 x 0.78	26.2 x 19.8	5	5	30
FG5EI25.0-A*	Flexible vinyl material used to route cabling over carpet, tile, and concrete. Product available in 25' rolls.	9	6	9	11	1.03 x 0.78	26.2 x 19.8	25	25	25

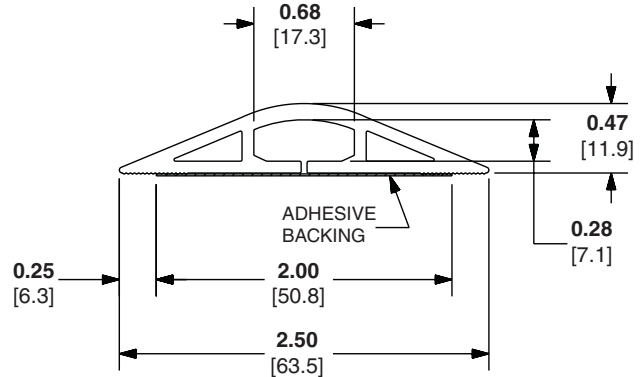
*For other colors, replace EI (Electric Ivory) with BL (Black), BR (Brown), or YL (Safety Yellow).

‡Standard package quantity and standard carton quantity listed in feet.

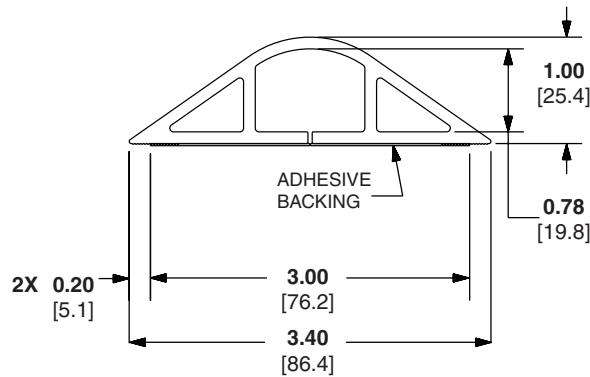
The above cable diameters represent the nominal Panduit cable diameter per performance level. For specific cable fill information based on specific part numbers, contact customer service.



FG1**5.0-A through FG1**50.0-A



FG3**5.0-A through FG3**50.0-A



FG5**5.0-A through FG5**25.0-A

Dimensions are in inches. [Dimensions in brackets are metric.]

WORLDWIDE SUBSIDIARIES AND SALES OFFICES

PANDUIT CANADA
Markham, Ontario
cs-cdn@panduit.com
Phone: 800.777.3300

PANDUIT EUROPE LTD.
London, UK
cs-emea@panduit.com
Phone: 44.20.8601.7200

PANDUIT SINGAPORE PTE. LTD.
Republic of Singapore
cs-ap@panduit.com
Phone: 65.6305.7575

PANDUIT JAPAN
Tokyo, Japan
cs-japan@panduit.com
Phone: 81.3.6863.6000

PANDUIT LATIN AMERICA
Guadalajara, Mexico
cs-la@panduit.com
Phone: 52.33.3777.6000

PANDUIT AUSTRALIA PTY. LTD.
Victoria, Australia
cs-aus@panduit.com
Phone: 61.3.9794.9020

For a copy of Panduit product warranties, log on to www.panduit.com/warranty

For more information

Visit us at www.panduit.com

Contact Customer Service by email: cs@panduit.com
or by phone: 800.777.3300 and reference SRSP20

PANDUIT®

©2011 Panduit Corp.
ALL RIGHTS RESERVED.

WW-SRSP20

7/2011