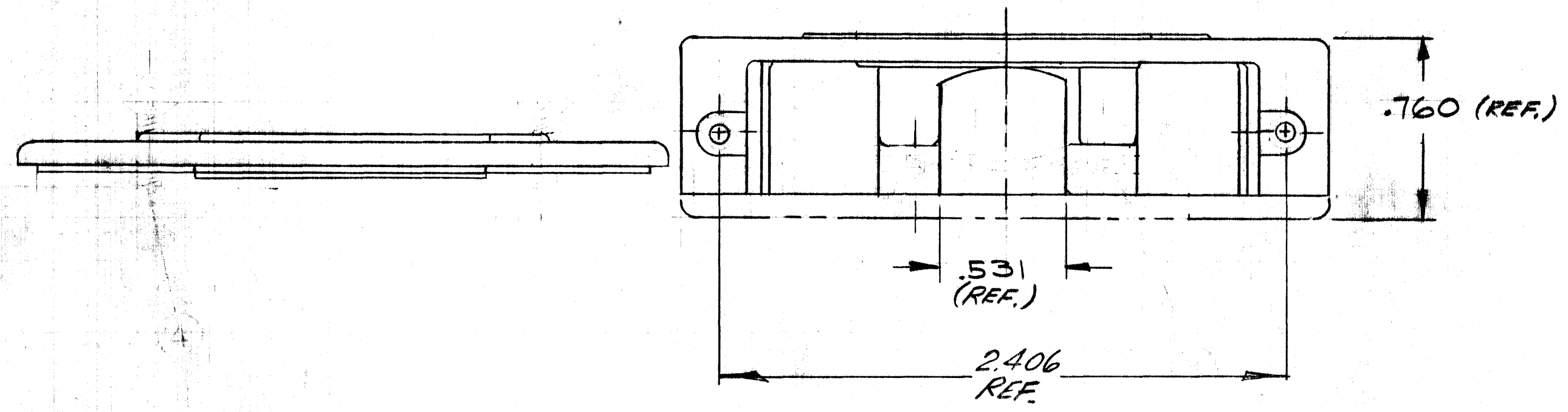
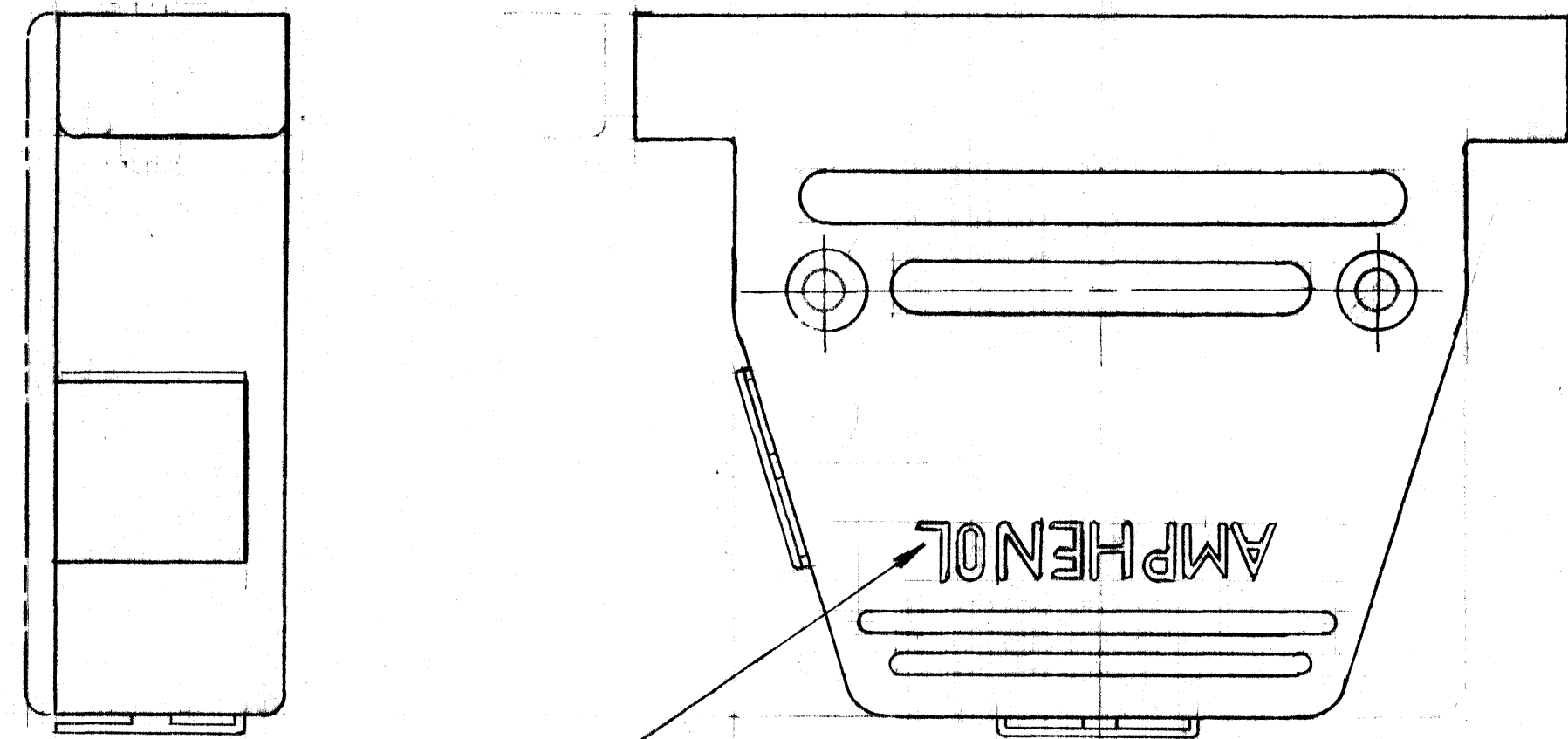
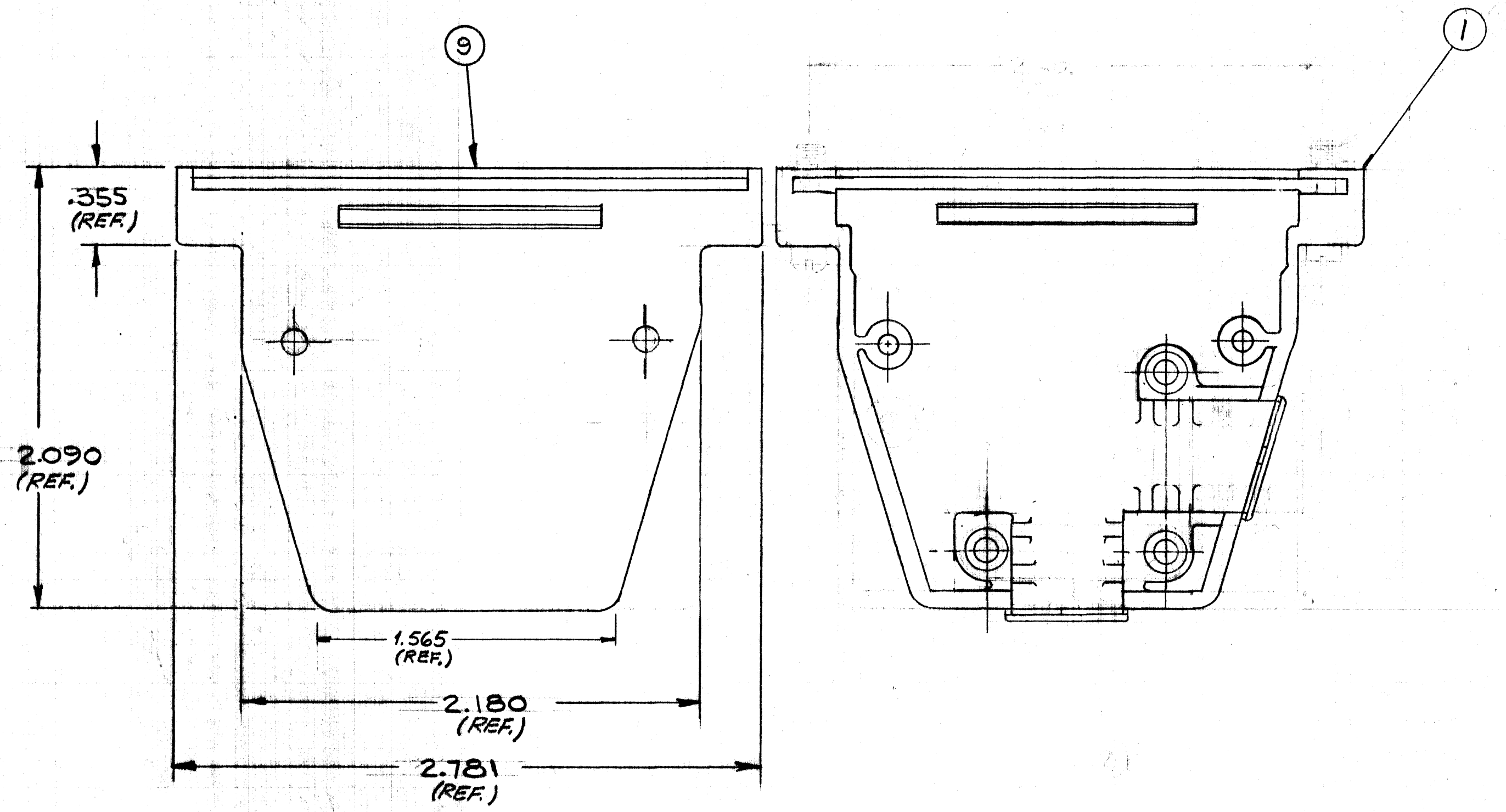


NOTICE - These drawings, specifications, or other data (1) are, and remain the property of Bunker Ramo Corporation (2) must be returned upon request; and (3) are confidential and are not to be disclosed to any person other than those to whom they are given by Bunker Ramo Corporation. The drawings, specifications, or other data of Bunker Ramo Corporation, or by any other person, in any manner, including, but not limited to, reproduction, copying, or otherwise, for any purpose is not to be regarded as an offer or a contract, or as a license, or as a permission, or as a release, or as a warranty, or as a representation, or as a statement of fact, or as a statement of opinion, or as a statement of intent, or as a statement of policy, or as a statement of procedure, or as a statement of result, or as a statement of any other person to manufacture, use or sell any product, process or design, patented or otherwise, that may in any way be related to or disclosed by said drawings, specifications or other data.

REVISIONS				
SYM	ZONE	DESCRIPTION	DATE	APPROVED
A		RELEASE TO PRODUCTION PER DOR # 505-17-90039	6/8/79	AK
B		ITEM 4, 34-1253-02 WAS 34-1260-02, ITEM 3 4-24x14 WAS 4-24x9/16 CN43568-C LT	9/12/79	
C		ITEM 3, 34-1267-02 WAS 34-1261-02 CN43777-A LT	3/5/80	
D		ITEM 3, 34-1267-03 WAS 34-1267-02 CN43792-A LT	3/29/80	
E		ADDED ITEM 8 TO B/M AND NOTE 4 ADDED PART NOS TO ITEMS 6 & 7 CN43992-C 6L	10/11/80	AK
F		DELETED ASSY. OF JACKSCREW ADDED NOTE #3 DELETED NOTE #1 RENUMBERED NOTES. CN 44427 C.C. J.H.	5-4-82	J.H.
G	ER 10/48	REVISED TABLE #1 ADDED PART NOS. 07-08 AND 09 EAR AT 1546-017-907410 J.H.	8-2-82	J.H.
H1		DELETED 17-1583 ADDED 17-1583-01-01 & 17-1583-02-01 PER J-44534-C	10-9-82	J.Y.
H2		ADDED RIB ON THE COVER J-44547-C	10-4-82	J.Y.
J		DELETED 17-1591-02-04-05-07-08 CN J-44954	2/14	AK
K		ITEM 6 WAS 120-940-1, POLYCEL BAG REVISED NOTE 3 ECN 46407	3/13/87	J.H.



PART NO.	ITEM #5 JACKSCREW	QTY.	REQUIRED CABLE OUTLET
17-1591-01	NONE		180°
-03	NONE		NONE
-06	34-1261-02	2	NONE
17-1591-09	17-1407-02	2	NONE



**NOTES:**

- SEE TABLE 1 FOR REQUIRED CABLE OUTLET.
- CUSTOMER NAME MAY REPLACE "AMPHENOL" BY HOT STAMPING, WHEN NECESSARY.
- PLACE ITEMS #2, 3, 4, 5 & 9 INTO A POLYCEL BAG (ITEM 7) AND SEAL. AFFIX I.D. TAG (ITEM 8) TO OUTSIDE OF BAG.

9	17-1583-02-01	1	COVER WITH AMPHENOL LOGO
8	120-1106	1	CARD STOCK / I.D. TAG
7	120-940-6	1	POLYCEL BAG
6			
5	SEE TABLE 1		SPECIAL FILLISTER HD SCR 4-40
4	34-1253-02	2	SCR THD CUTTING FLAT HD 4-24X3/8
3	34-1267-03	2	4 THD CUTTING SCR, PAN HD 5/16LX
2	17-1586	1	CABLE CLAMP
1	17-1583-01-01	1	HOUSING WITH AMPHENOL LOGO

LIST OF MATERIALS OR PARTS LIST			
ITEM NO.	PART OR IDENTIFYING NO.	QTY REQD	NOMENCLATURE OR DESCRIPTION
AMPHENOL CONNECTOR DIVISION BUNKER RAMO CORPORATION BROADVIEW, ILLINOIS 60153			
CABLE HOUSING AND CLAMP ASSEMBLY 50 SIZE			
DRAWN: [Signature]		DATE: 2-1-79	
CHECKED: [Signature]		DATE: 2/23/79	
APPROVED: [Signature]		DATE: 2/23/79	
EPA/DOR 221-17-90098-1			
ENGINEERING RELEASE			
No. J-2553-2		6/11/79	
INDUSTRIAL ENGRG APPD. [Signature]		6/8/79	
DESIGN ACTIVITY APPD. [Signature]			
FINAL ASSEMBLY	NEXT USED ON		
MATERIAL	#		
FINISH	#		
EXPERIMENTAL NO. 100-17-9034-15		DWG SIZE D	CODE IDENT NO. 02660
		DRAWING NO. 17-1591-XX	REV. CK
SCALE #		WT. EST.	ACT.
		SHEET 1	OF 1