

# ELS-1150 Series Features Best Performance-to-Size Ratio

The ELS-1150 electro-optic level switches maintain the top-performing environmental capabilities of their larger family members while featuring an overall size that is 50% smaller. At just 1.38" long, ELS-1150 represents the smallest electro-optic level sensor in its performance class, and by far the most economical. ELS-1150 switches utilize a strong, glass prism fused to a carbon steel or stainless steel housing to easily monitor vessels pressurized up to 2500 PSI. Their compact package size makes them the ideal candidate for monitoring the small, pressurized vessels found in HVAC, refrigeration and hydraulic applications. They are most commonly used for low, high and intermediate level detection.

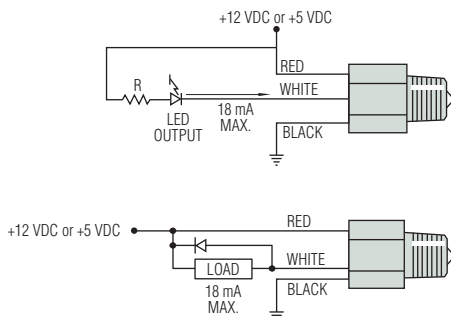
A stainless steel version, the ELS-1150SS, is excellent for applications requiring corrosion resistance. Industry's only stainless steel electro-optic sensor offers greater compatibility and is ideal for acids, solvents, and dielectric water applications.

## Specifications

<b>Mounting</b>	1/2" NPT, 3/4"-16 Straight Thread
<b>Materials</b>	
<b>Housing</b>	Nickel-Plated Carbon Steel or Stainless Steel
<b>Prism</b>	Fused Glass
<b>Operating Pressure</b>	0 to 2500 PSI, Maximum
<b>Operating Temperature*</b>	-40°F to +212°F (-40°C to +100°C)
<b>Current Consumption</b>	~45 mA
<b>Output</b>	Open Collector Output, 18 mA Sink, Max.
<b>Electrical Termination</b>	22 AWG, Polymeric, 12" to 14" Extended Lead Wires
<b>Repeatability</b>	±1 mm
<b>Approvals**</b>	CE, UL File No. E108913, CUL

\* These switches are not for use in freezing liquid or steam/high condensation environments. For higher temperature versions up to 257°F (125°C), and for other alternate requirements, contact Gems factory.  
\*\* Carbon Steel model only.

## Wiring Diagrams - Typical

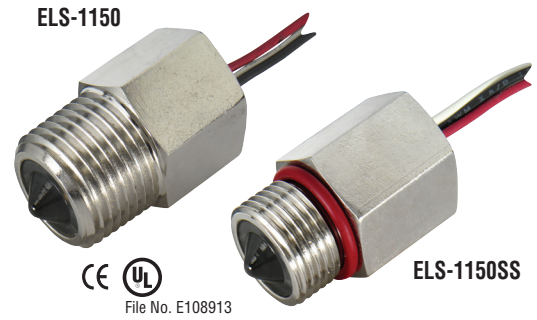


Note: Inductive loads must be diode suppressed.

## How To Order

Specify Part Number based on Input Power/ Output Condition and material required.

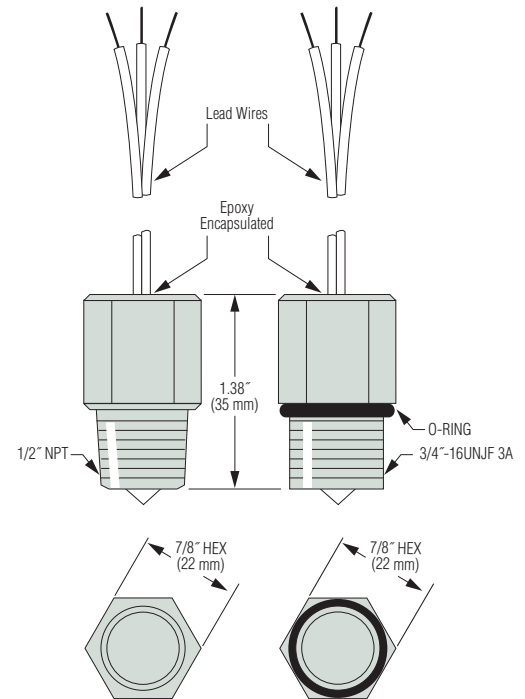
Input Power	Probe Condition at Current Sink	Nickel-Plated Steel Housing		Stainless Steel Housing
		1/2" NPT Mounting	3/4" - 16 Straight Thread	1/2" NPT Mounting
5 VDC	Wet	194469	195201	205486
	Dry	194470	195202	205487
12 VDC	Wet	194471	195203	205490
	Dry	194472	195204	205495



## Dimensions

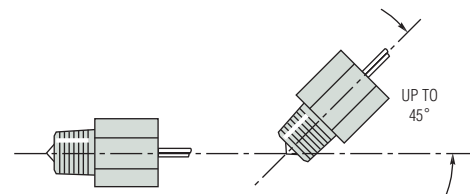
### 1/2" NPT Mounting

### 3/4" - 16 Straight Thread Mounting



## Mounting Attitude

These units must be mounted horizontally or up to 45° from horizontal only.



## Extended Power and Switching Capabilities of 12 VDC Models with Gems.

Converts TTL output signal to 5 Amp relay output. Available as open circuit board or mounted in a NEMA 4X enclosure (pictured). See Page A-31.

