

NEW

STEGO
INC.



ACTUAL SIZE

Electronic Hygrotherm ETF 012

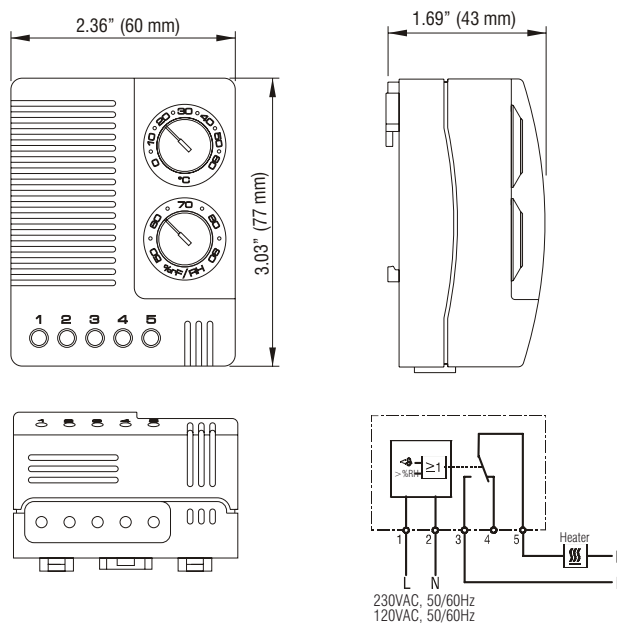
- Controls both temperature and humidity
- High switching capacity
- Optical function displays (LED)
- DIN rail mountable

The ETF 012 senses the ambient temperature and relative air humidity. Depending on which contact combination is chosen, it then turns on or off a connected device if either the temperature is below, or the humidity above the set point. The integrated LED in each adjustment knob is lit indicating the active function.



Technical Data ETF 012

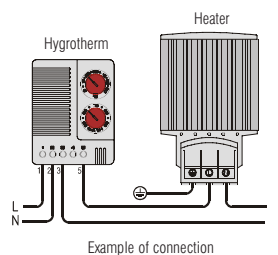
Part No. 01230.0-00	230 VAC, 50/60 Hz	Scale: °C / %RH
Part No. 01230.9-00	120 VAC, 50/60 Hz	Scale: °F / %RH
Part No. 01230.9-01	120 VAC, 50/60 Hz	Scale: °C / %RH
Temperature range:	32-140°F (0-60°C) adjustable	
Humidity range:	50-90% RH adjustable	
Switching difference (hysteresis):	approximately 3.6°F (2K) ± 1K tolerance approximately 4% RH ± 1% tolerance	
Response time:	approximately 160 sec.	
Contact type:	Change-over contact	
Relay output (switching capacity):	NC: AC 240 V - 6A resistive, 1A inductive NO: AC 240 V - 8A resistive, 1.6A inductive NC: AC 120 V - 6A resistive, 1A inductive NO: AC 120 V - 8A resistive, 1.6A inductive DC 24 V - 4A resistive	
Service life:	>100,000 cycles	
Function control light:	LED	
Connections:	5-pole terminal for AWG 14 max (2.5 mm ²)	
Mounting:	Clip for 35 mm DIN rail (EN 50022)	
Dimensions (H x W x D):	3.03 x 2.36 x 1.69" (77 x 60 x 43 mm)	
Housing:	Plastic, UL94V-0	
Weight:	Approx. 6 oz (0.2 kg)	
Mounting position:	Vertical	
Operating temperature:	32 to 140°F (0 to 60°C)	
Storage temperature:	-4 to 176°F (-20 to 80°C)	
Protection type:	IP 20	
Agency approvals:	UL (VDE - p/n 01230.0-00 only)	



Input: Contacts 1 & 2: Supply voltage (120 VAC or 230 VAC)

Relay output: Contacts 3 & 5 and contacts 4 & 5 (see table on left)

Contacts	close at ...	open at ...	use for
3 and 5	humidity rise or temperature drop	humidity drop or temperature rise	heaters de-humidifiers low-temp alarms
4 and 5	humidity drop or temperature rise	humidity rise or temperature drop	cooling humidifiers high-temp alarms



Specifications are subject to change without notice. Suitability of this product for its intended use and any associated risks must be determined by the end customer/buyer in its final application.