



**Quick connections**

**Available with or without fuse**

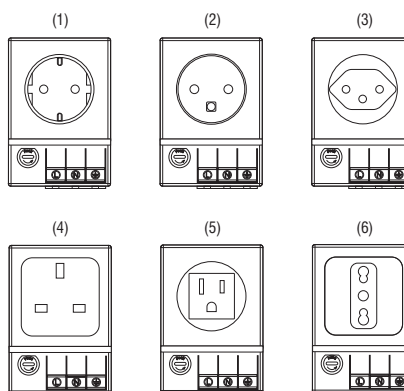
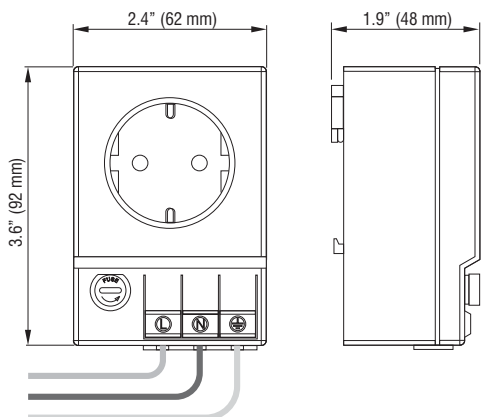
**DIN rail mountable**

The DIN rail mounted electrical receptacle can be quickly fitted and connected in enclosures allowing the use of auxiliary products such as hand lamps and power tools. The unit is available with and without fuse, and in many world outlet standards.



**Technical Data**

|  |   |
|--|---|
| <b>Connection</b>                      | 3 cage clamps for solid and stranded wire AWG 20-14 (0.5-2.5mm <sup>2</sup> ) |
| <b>Housing</b>                         | plastic, UL94 V-0, light grey   |
| <b>Mounting</b>                        | clip for 35mm DIN rail, EN 60 715   |
| <b>Mounting position</b>               | vertical  |
| <b>Operating / Storage temperature</b> | -49 to +158°F (-45 to 70°C)   |
| <b>Dimensions</b>                      | 3.6 x 2.4 x 1.9" (92 x 62 x 48mm)   |
| <b>Weight</b>                          | approx. 7.1 oz. (200g)  |
| <b>Protection class</b>                | I (grounded)  |
| <b>Protection type</b>                 | IP20  |



| Part No.   | Operating Voltage max. | Socket             | Model        | Nominal Current | Approvals           |
|------------|------------------------|--------------------|--------------|-----------------|---------------------|
| 03500.0-00 | 250VAC                 | Germany/Russia (1) | with fuse*   | 6.3A            | -                   |
| 03500.0-01 | 250VAC                 | Germany/Russia (1) | without fuse | 16.0A           | -                   |
| 03501.0-00 | 250VAC                 | France/Poland (2)  | with fuse*   | 6.3A            | -                   |
| 03501.0-01 | 250VAC                 | France/Poland (2)  | without fuse | 16.0A           | -                   |
| 03502.0-00 | 250VAC                 | Switzerland (3)    | with fuse*   | 6.3A            | -                   |
| 03502.0-01 | 250VAC                 | Switzerland (3)    | without fuse | 10.0A           | -                   |
| 03503.0-00 | 250VAC                 | UK/Ireland (4)     | with fuse*   | 6.3A            | -                   |
| 03503.0-01 | 250VAC                 | UK/Ireland (4)     | without fuse | 13.0A           | -                   |
| 03504.0-00 | 125VAC                 | USA/Canada (5)     | with fuse*   | 6.3A            | UL File No. E222026 |
| 03504.0-01 | 125VAC                 | USA/Canada (5)     | without fuse | 15.0A           | UL File No. E222026 |
| 03505.0-00 | 250VAC                 | Italy (6)          | with fuse*   | 6.3A            | -                   |
| 03505.0-01 | 250VAC                 | Italy (6)          | without fuse | 16.0A           | -                   |

\* fuse Ø 5 x 20 mm

Specifications are subject to change without notice. Suitability of this product for its intended use and any associated risks must be determined by the end customer/ buyer in its final application.