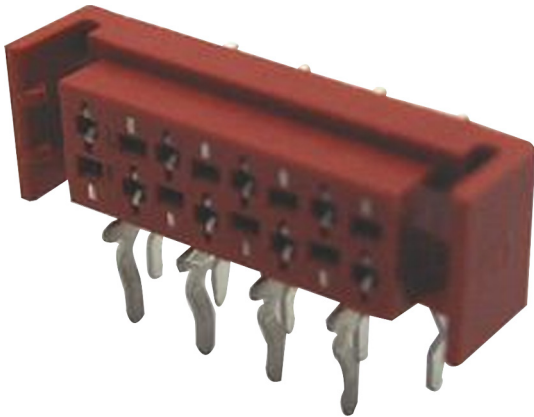


Side Entry Socket With Lock - 4Way



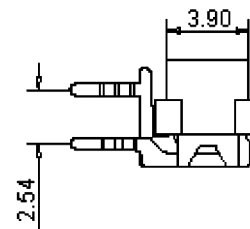
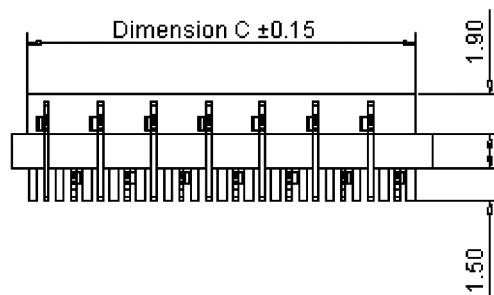
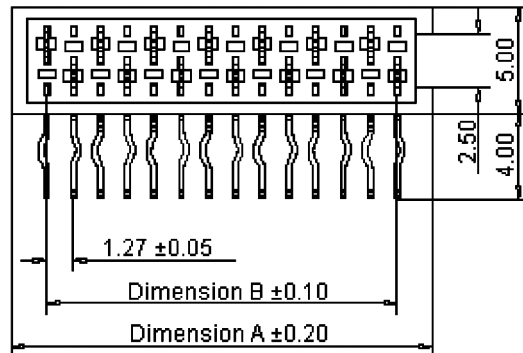
Specifications:

Current Rating	: 1A AC/DC
Voltage Rating	: 30V AC/DC
Maximum Contact Resistance	: 20m Ω
Minimum Insulation Resistance	: 1,000M Ω
Withstanding Voltage	: 500V AC for one minute
Operating Temperature Range	: -40°C to +105°C
Pitch Spacing	: 1.27mm
No. of Rows	: 2
No. of Contacts	: 4
Pitch	: 2.54mm
Gender	: Receptacle
Contact Termination	: Solder
Connector Type	: Wire to Board

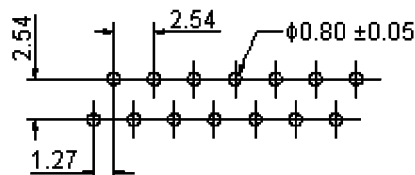
Material and Finish

Insulator	: High temperature plastic
Contact	: Copper alloy
Plating	: Selective plated
Contact Plating	: Tin

Side Entry Socket With Lock - 4Way



Recommended PCB Layout



Dimensions : Millimetres

Part Number Table

Description	Part Number
Socket, Side Entry, Lock, 4Way	4409AR-04-A

Important Notice : This data sheet and its contents (the "Information") belong to the members of the Premier Farnell group of companies (the "Group") or are licensed to it. No licence is granted for the use of it other than for information purposes in connection with the products to which it relates. No licence of any intellectual property rights is granted. The Information is subject to change without notice and replaces all data sheets previously supplied. The Information supplied is believed to be accurate but the Group assumes no responsibility for its accuracy or completeness, any error in or omission from it or for any use made of it. Users of this data sheet should check for themselves the Information and the suitability of the products for their purpose and not make any assumptions based on information included or omitted. Liability for loss or damage resulting from any reliance on the Information or use of it (including liability resulting from negligence or where the Group was aware of the possibility of such loss or damage arising) is excluded. This will not operate to limit or restrict the Group's liability for death or personal injury resulting from its negligence. Multicomp is the registered trademark of the Group. © Premier Farnell plc 2012.

www.element14.com
www.farnell.com
www.newark.com

