

# Terminal Block, 12Way



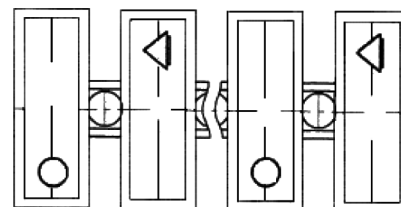
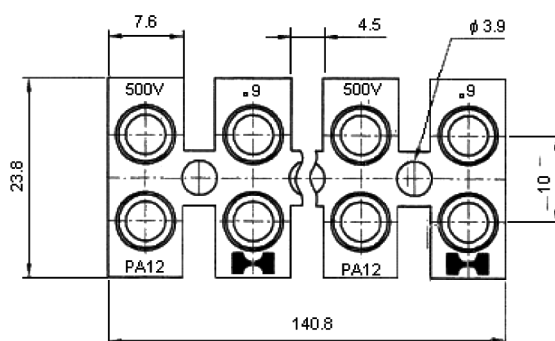
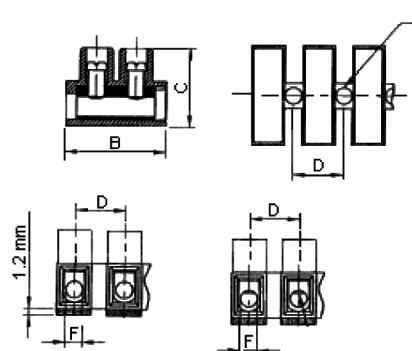
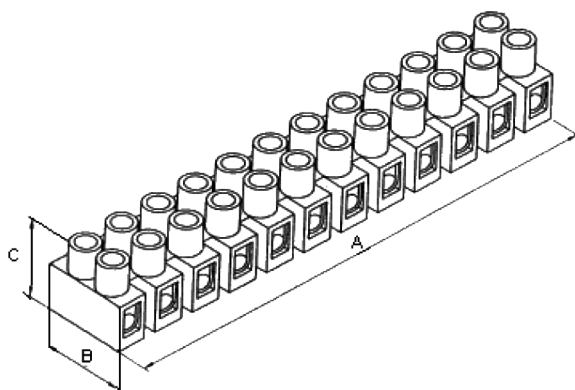
## Features:

- High power Terminal Blocks
- 1.2mm raised base

## Specifications:

Housing Material	: Nylon 66, Natural
Terminal Insert	: Brass metal alloy, nickel plated
Screws	: Zinc plated, yellow chromed
Working Temperature	: 110°C
Number of Poles	: 12 poles
Terminal Type	: Screw
Voltage Rating V AC	: 500V

PA12



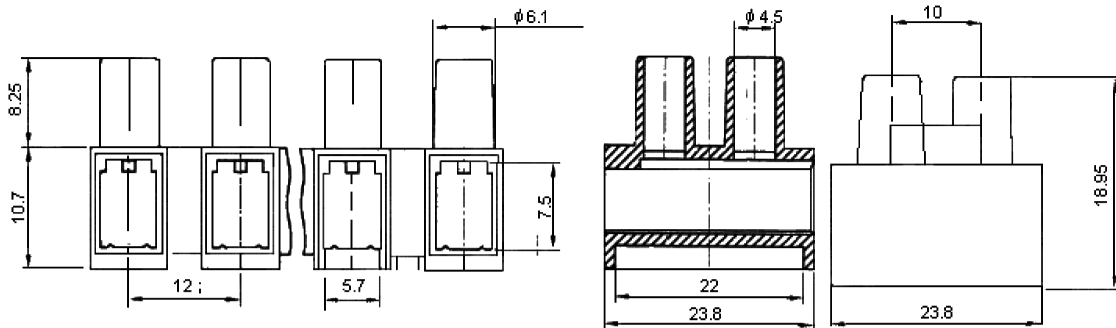
Dimensions : Millimetres



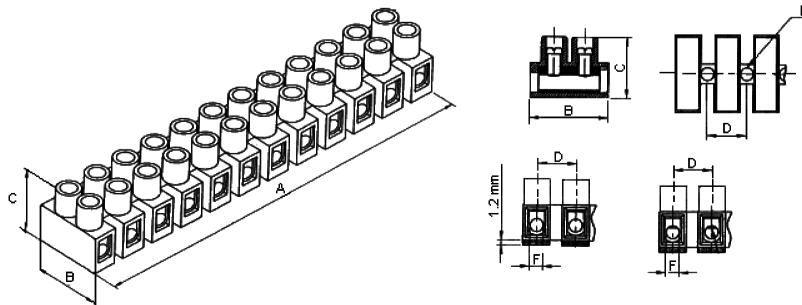
# Terminal Block, 12Way



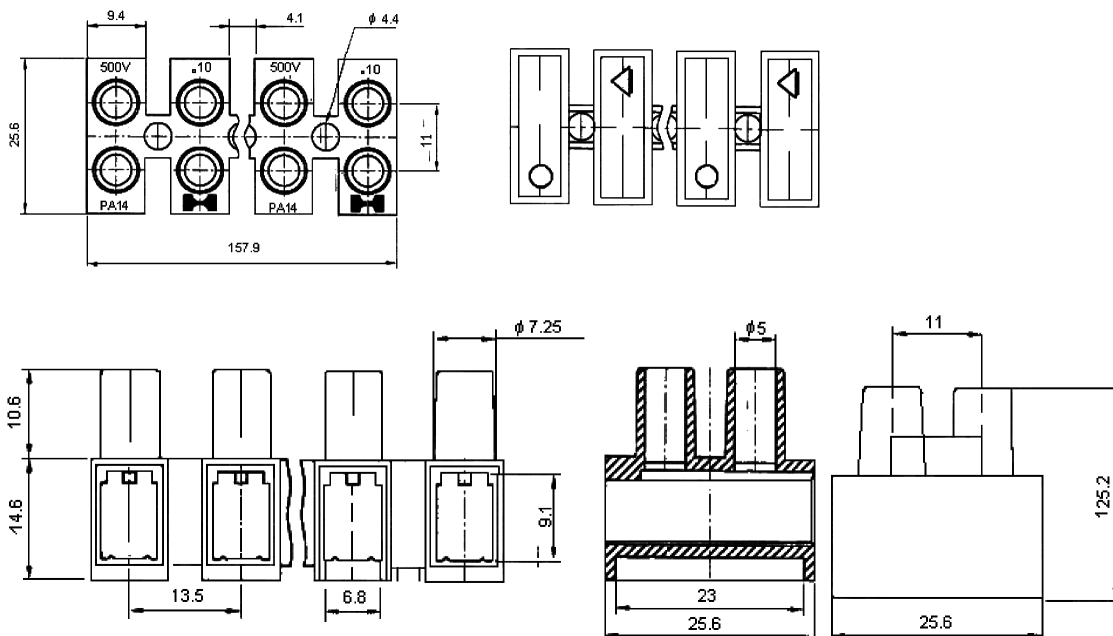
PA12



PA14



PA14



Dimensions : Millimetres

[www.element14.com](http://www.element14.com)  
[www.farnell.com](http://www.farnell.com)  
[www.newark.com](http://www.newark.com)



# Terminal Block, 12Way



## Specification Table

Maximum Wire Size (mm <sup>2</sup> )	Voltage Rating (V AC)	Screw	Stripping Length	Dimensions						Current Rating (A)
				A	B	C	D	E	F	
6	500	M3.5 × 7	7.8 (0.31)	140.7 (5.54)	23.8 (0.937)	19 (0.748)	12 (0.472)	3.9 (0.154)	4.2 ±0.1 (0.165)	41
10	500	M4 × 9	9 (0.35)	158 (6.22)	25.6 (1.008)	25.2 (0.992)	13.5 (0.531)	4.4 (0.173)	5 ±0.1 (0.189)	57

Dimensions : Millimetres (Inches)

## Part Number Table

Description	Part Number
Terminal Block, 12Way, 41A	PA12
Terminal Block, 12Way, 57A	PA14

**Important Notice** : This data sheet and its contents (the "Information") belong to the members of the Premier Farnell group of companies (the "Group") or are licensed to it. No licence is granted for the use of it other than for information purposes in connection with the products to which it relates. No licence of any intellectual property rights is granted. The Information is subject to change without notice and replaces all data sheets previously supplied. The Information supplied is believed to be accurate but the Group assumes no responsibility for its accuracy or completeness, any error in or omission from it or for any use made of it. Users of this data sheet should check for themselves the Information and the suitability of the products for their purpose and not make any assumptions based on information included or omitted. Liability for loss or damage resulting from any reliance on the Information or use of it (including liability resulting from negligence or where the Group was aware of the possibility of such loss or damage arising) is excluded. This will not operate to limit or restrict the Group's liability for death or personal injury resulting from its negligence. Multicomp is the registered trademark of the Group. © Premier Farnell plc 2012.