

LED Drivers— 24vdc Constant Voltage Series (9.6 watts to 48 watts)

PowerPax UK

Product Features -

- Compact Housing, Indoor use only
- Short Circuit, Over Current and Over-voltage Protection
- Screw Terminal Connections
- Long Life, High reliability
- High Efficiency, Double Isolated design



Specification

Input

Input Voltage	220 - 240vac
Input Frequency	50 - 60Hz
Dielectric Withstand	3000V AC (Input to Output)
Efficiency	83 - 87%

Environmental

Operating Temperature	-10°C to +45°C
Storage Temperature	-40°C to +70°C
Relative Humidity	5% - 95% RH (Operating) 5% - 95% RH (Storage)
Cooling	Natural Convection

Safety & EMC

Safety	EN61347-1
	EN61347-2-13
EMI	EN55015 B
Harmonic Current Emissions	EN61000-3-2
	EN61000-3-3
Electromagnetic Immunity	EN61000-4-2
	EN61000-4-3
	EN61000-4-4
	EN61000-4-6
	EN61000-4-8
	EN61000-4-11

Output

Ripple	2% P-P Max (Full Load)
Transient Response	0.5mS (50% Step Load Change)
Hold Up Time	10mS (Full Load)
Protection	Short Circuit Overvoltage Over Current

General Specifications

MTBF	30,000 hrs
Case drawings	Pages 2 and 3

Mechanical

Case Dimensions	See table Page 2
Weight	See table below

PowerPax UK Ltd

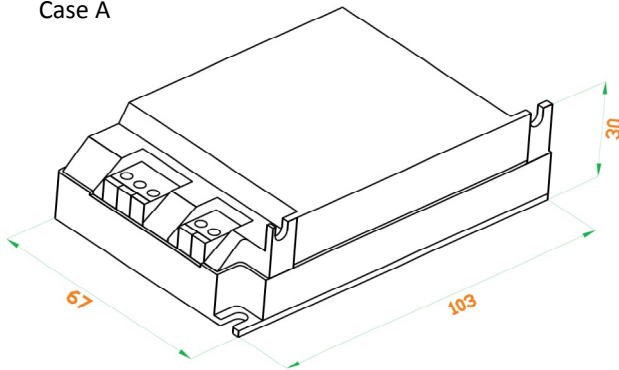
Unit 5 Kennet Weir Industrial Estate, Arrowhead Road, Theale, Berkshire, RG7 4AD, United Kingdom

Tel: +44 (0)118 9033290 Fax: +44 (0)1189 9033291 E-mail: info@powerpaxuk.com Website: www.powerpax.co.uk

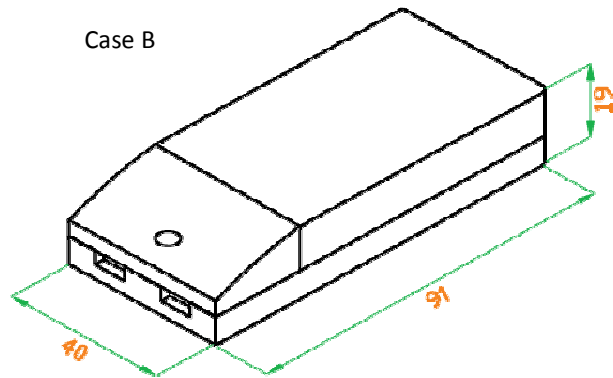
Model No	Input Voltage (V AC)	Input Frequency (Hz)	Output Power (W)	Output Voltage (V DC)	Output Current (A)	Power Factor	Efficiency	Weight	Size (mm)	Case
LED-DR-24-400-12	230	50	9.6	24	0.4	>0.95	>83 %	60g	91 x 40 x 19	B
LED-DR-24-700-20	230	50	16.8	24	0.7	>0.95	>85%	90g	98 x 45 x 28	H
LED-DR-24-1000-30	230	50	24	24	1.0	>0.95	>86%	100g	115 x 45 x 29	D
LED-DR-24-1300-40	230	50	31.2	24	1.3	>0.95	>86%	150g	145 x 48 x 31	F
LED-DR-24-1700-51	230	50	40.8	24	1.7	>0.95	>86%	160g	103 x 67 x 30	A
LED-DR-24-2000-60	230	50	48	24	2.0	>0.95	>87%	250g	123 x 79 x 35	E

LED Drivers Case Types

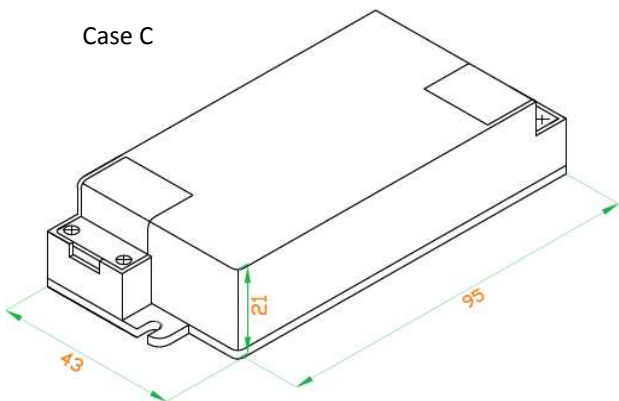
Case A



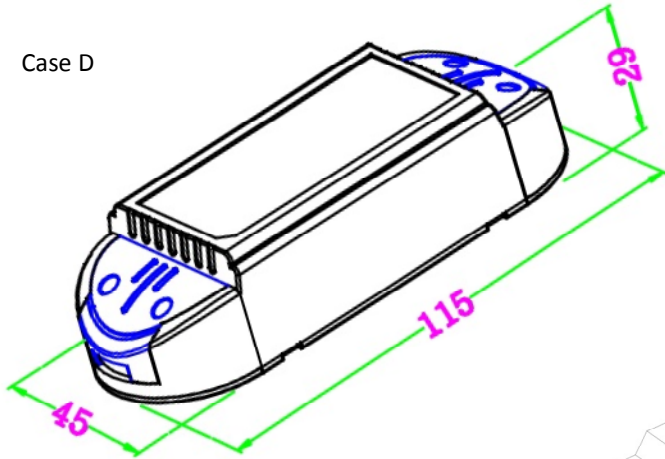
Case B



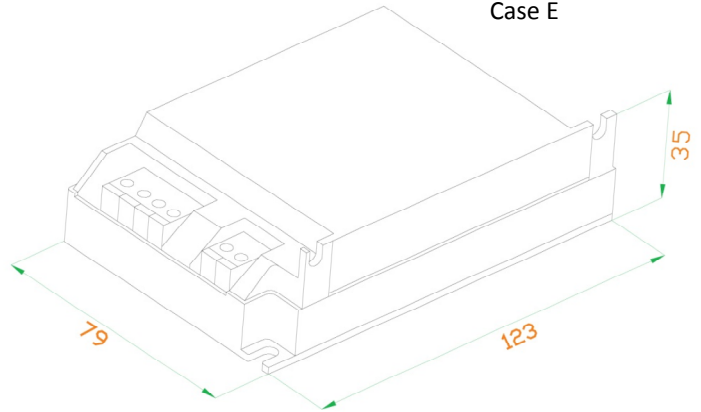
Case C



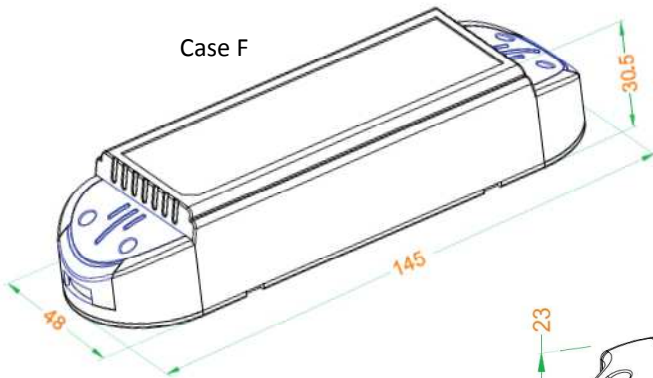
Case D



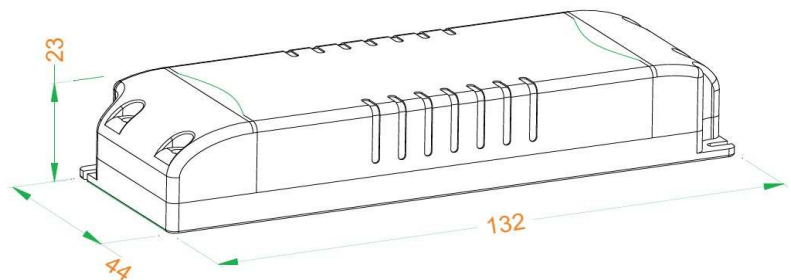
Case E



Case F



Case G



Case H

