

San Ace 80

DC fan

DC fan 80mm

Features

High Static Pressure

Maximum static pressure is increased by approx. 2times compared with our conventional product*.

Low Noise

Achieved low noise: 69 dB(A).

* Our conventional product is 80 x 80 x 38 mm thick. San Ace 80 GVtype, Model No. 9GV0812P1G03.



ECO PRODUCTS

80 × 80 × 38mm HV type

Specifications

Model No.	Rated Voltage [V]	Operating Voltage Range [V]	PWM Duty Cycle [%] ^{Note1}	Rated Current [A]	Rated Input [W]	Rated Speed [min ⁻¹]	Max. Air Flow [m ³ /min] [CFM]	Max. Static Pressure [Pa] [inchH ₂ O]	SPL [dB(A)]	Operating Temperature [°C]	Expected Life ^{Note2} [h]
9HV0812P1G001(0011)	12	10.8 to 13.2	100	3.4	40.8	14,900	3.7 130.7	1,000 4.0	69	-10 to +70	40,000/60°C (70,000/40°C)
			0	0.64	7.68	4,400	1.06 37.5	87.2 0.35	40		
9HV0848P1G001(0011)	48	36 to 57	100	0.85	40.8	14,900	3.7 130.7	1,000 4.0	69		
			0	0.13	6.24	4,400	1.06 37.5	87.2 0.35	40		

The numbers in () represent ribless models.

Note1 : PWM Frequency : 25kHz

Note2 : Expected life at 40 degreeC ambient is just reference value.

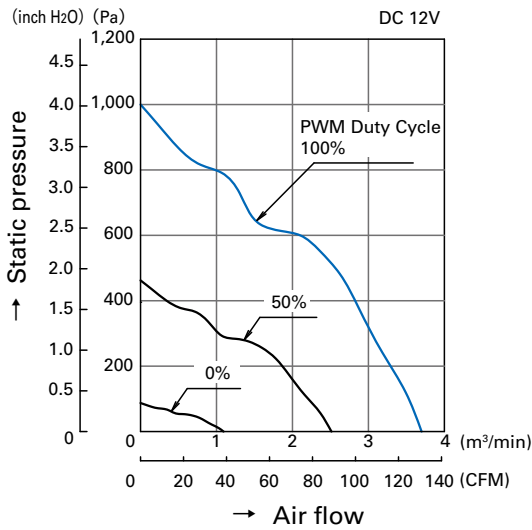
Common Specifications

- Material Frame, Impeller: Plastics (Flammability: UL94V-0)
- Expected Life Varies for each model
(L10: Survival rate: 90% at 60°C, rated voltage, and continuously run in a free air state)
- Motor Protection System Current blocking function and Reverse polarity protection
- Dielectric Strength 50/60 Hz, 500VAC, 1 minute (between lead conductor and frame)
- Sound Pressure Level (SPL) Expressed as the value at 1m from air inlet side
- Operating Temperature Varies for each model (Non-condensing)
- Storage Temperature -30°C to +70°C (Non-Condensing)
- Lead Wire ⊕red ⊖black Sensor: yellow Control : brown
- Mass Approx. 230g

80mm

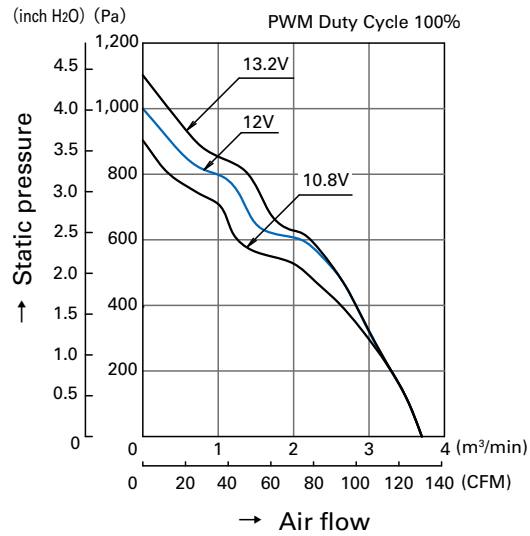
Air Flow - Static Pressure Characteristics

• PWM Duty Cycle

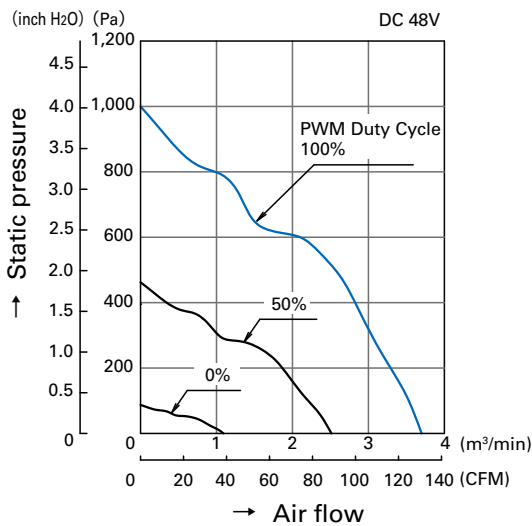


9HV0812P1G001 (0011)

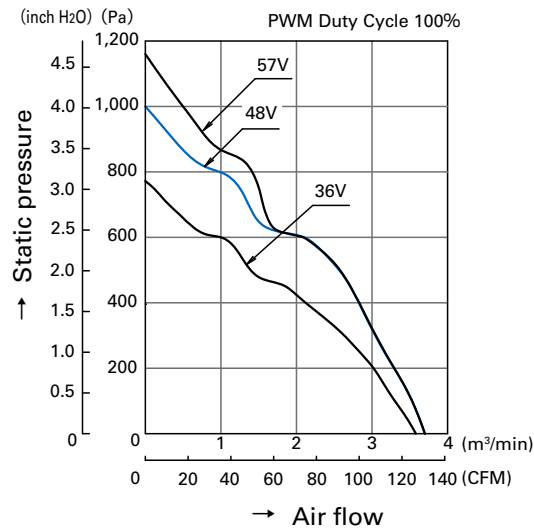
• Operating Voltage Range



9HV0812P1G001 (0011)

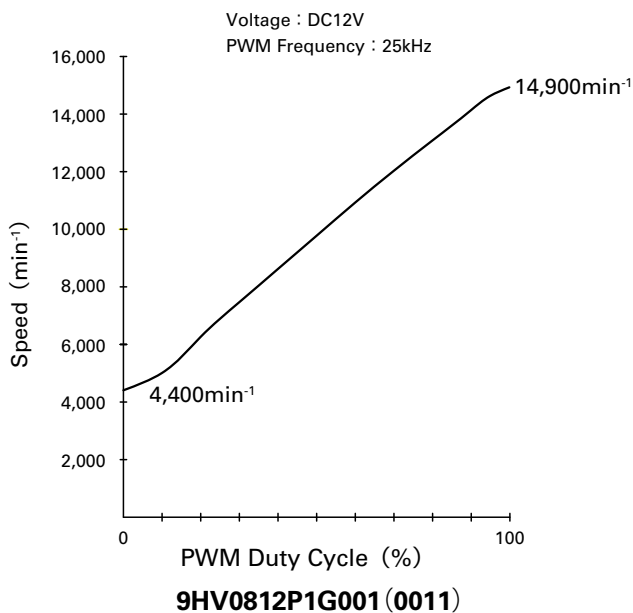


9HV0848P1G001 (0011)

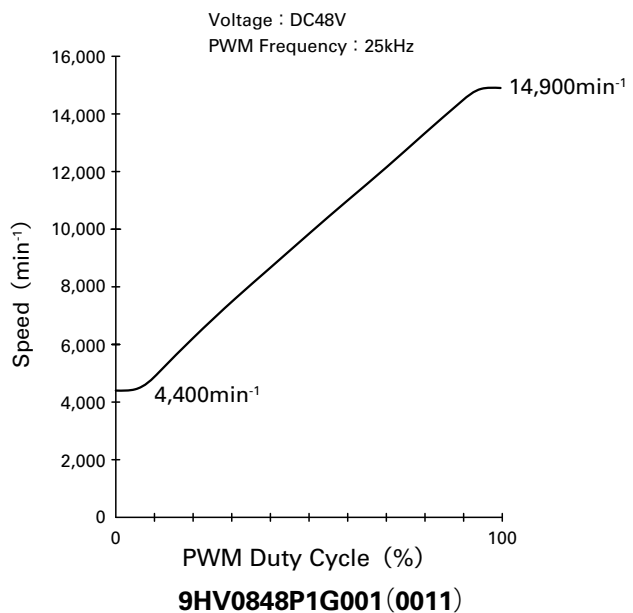


9HV0848P1G001 (0011)

PWM Duty - Speed Characteristics Example



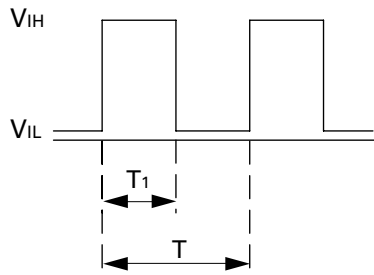
9HV0812P1G001 (0011)



9HV0848P1G001 (0011)

PWM Input Signal Example

Input Signal Wave Form



$V_{IH} = 4.75V$ to $5.25V$

$V_{IL} = 0V$ to $0.4V$

PWM Duty Cycle (%) = $\frac{T_1}{T} \times 100$

PWM Frequency 25 (kHz) = $\frac{1}{T}$

Source Current (I_{source}) : 1mA Max. at control voltage 0V

Sink Current (I_{sink}) : 1mA Max. at control voltage 5.25V

Control Terminal Voltage : 5.25V Max. (Open Circuit)

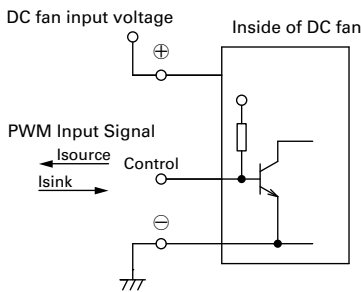
When the control lead wire is open,

speed is same as one at 100% PWM duty cycle.

This fan speed should be controlled by PWM input signal of either

TTL input or open collector, drain input.

Connection Schematic



Specifications for Pulse Sensors

Output circuit : Open collector

Rated Voltage 12V fan

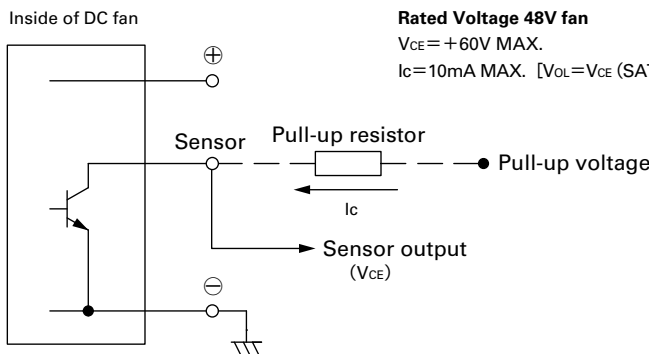
$V_{CE} = +15V$ MAX.

$I_c = 10mA$ MAX. [$V_{OL} = V_{CE} (SAT) = 0.6V$ MAX.]

Rated Voltage 48V fan

$V_{CE} = +60V$ MAX.

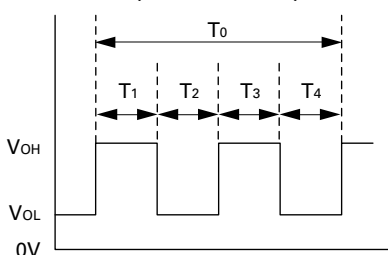
$I_c = 10mA$ MAX. [$V_{OL} = V_{CE} (SAT) = 0.6V$ MAX.]



Output waveform (Need pull-up resistor)

In case of steady running

(One revolution)

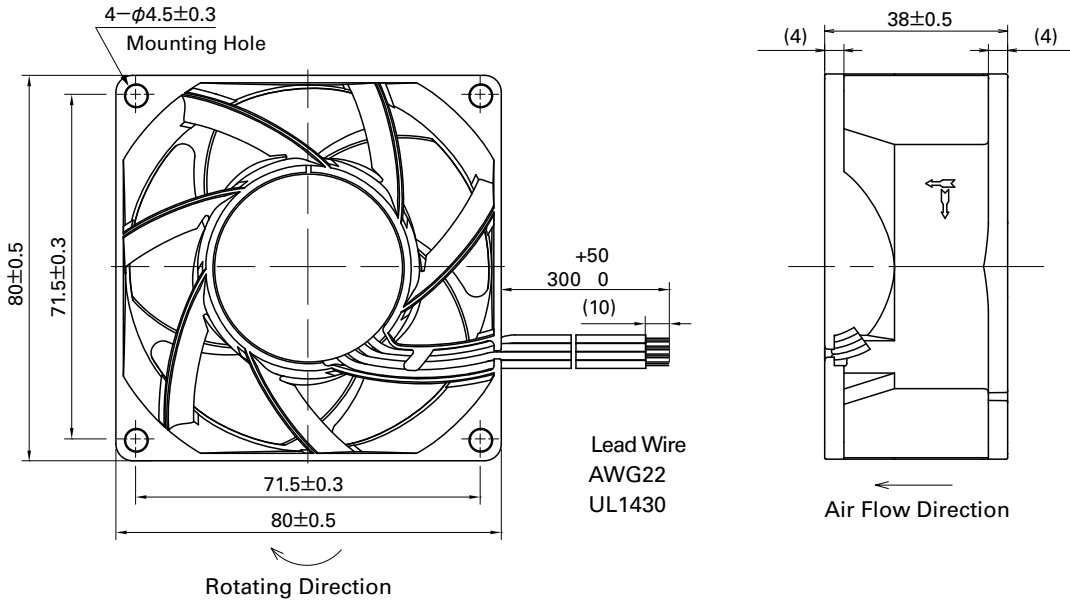


$T_{1-4} \cong (1/4) T_0$

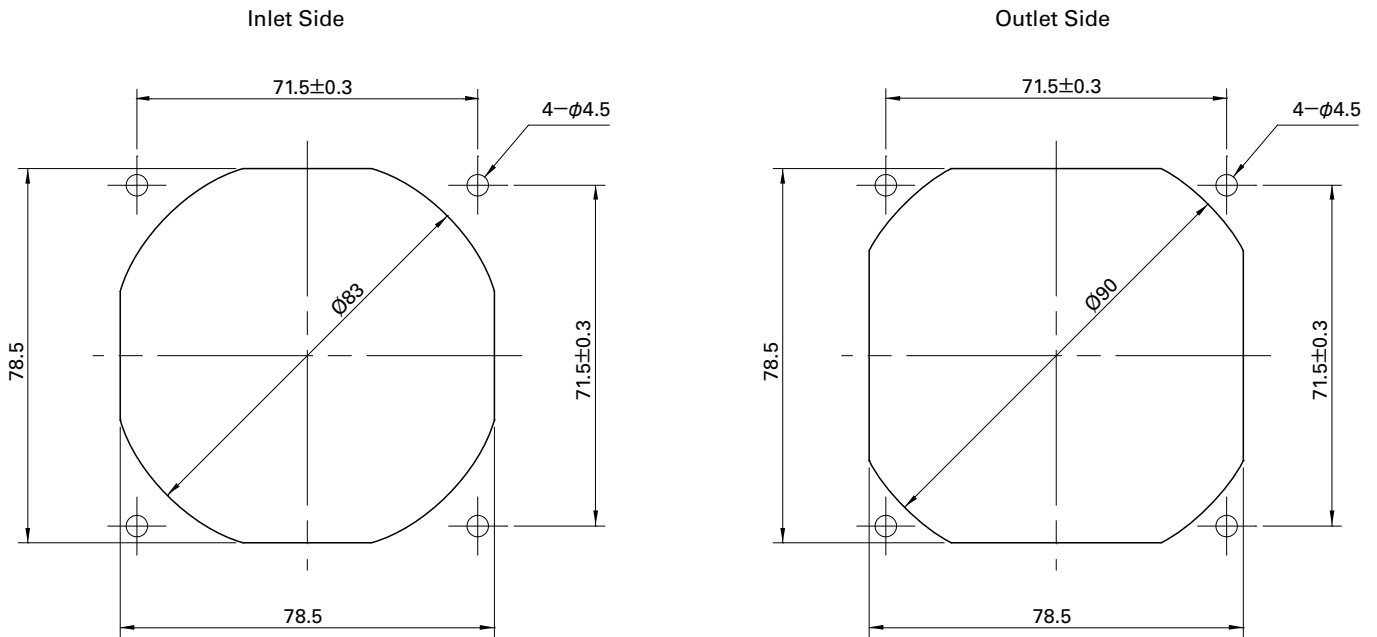
$T_{1-4} \cong (1/4) T_0 = 60/4N$ (sec)

$N = \text{Fan speed (min}^{-1}\text{)}$

Dimensions (unit : mm) (with ribs)



Reference dimension of mounting holes and vent opening (unit : mm)



Notice

- The products shown in the catalog are subject to Japanese Export Control Law. Diversion contrary to the law of exporting country is prohibited.
- To protect against electrolytic corrosion that may occur in locations with strong electromagnetic noise, we provide fans that are unaffected by electrolytic corrosion.

SANYO DENKI CO., LTD. 1-15-1, Kita-otsuka, Toshima-ku, Tokyo 170-8451, Japan. PHONE :+ 81 3 3917 5151

<http://www.sanyodenki.com>

The names of companies and/or their products specified in this catalog are the trade names, and/or trademarks and/or registered trademarks of such respective companies. Specifications are subject to change without notice. CATALOG NO. C1013B001 '12.9