

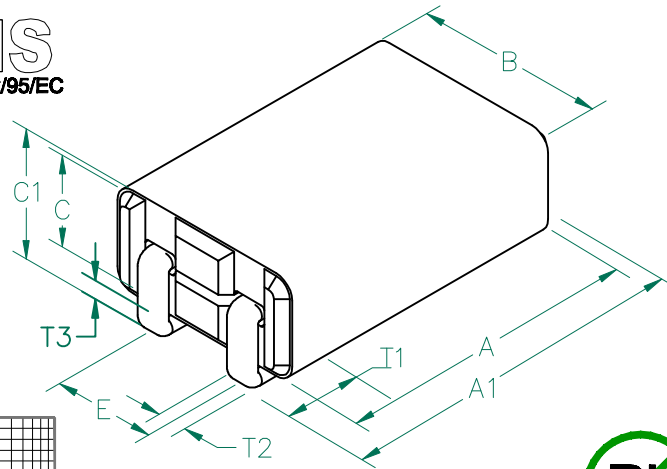
PHYSICAL DIMENSIONS:

A	8.68 [.342]	± 0.25 [.010]
A1	9.55 [.376]	MAX
B	5.60 [.220]	± 0.10 [.004]
C	2.85 [.112]	± 0.07 [.003]
C1	3.80 [.150]	± MAX.
E	2.84 [.112]	± 0.10 [.004]

WIRE DIMENSIONS:

T1	1.75 [.069]	± 0.25 [.010]
T2	0.81 [.032]	REF.
T3	0.43 [.017]	REF.

CM3421Y600R-10

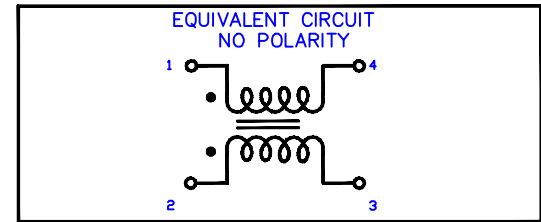


ELECTRICAL CHARACTERISTICS:

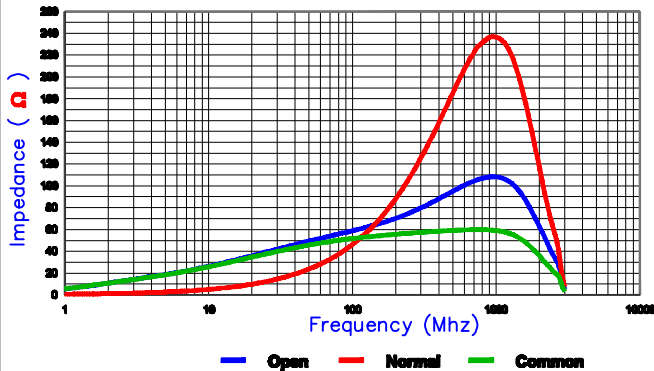
	Z in (Ω)	DCR (Ω)	Rated Current (Continuous)	Rated Voltage (VDC)
	@ 100 MHz			
Nominal (Ref.)	60			
Minimum	45			
Maximum	-	.00075	15,000 mA	140

NOTES: UNLESS OTHERWISE SPECIFIED

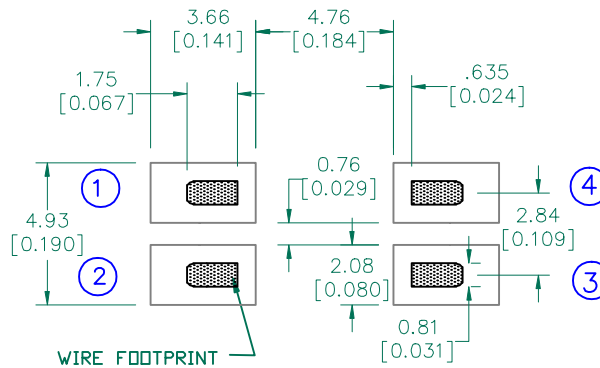
1. TAPED AND REELED per CURRENT EIA SPECS. 13" REELS, 2000 PCS PER REEL
2. COMPONENTS SHOULD BE ADEQUATELY PREHEATED BEFORE SOLDERING.
3. REF.CARRIER TAPE SPECIFICATION CART3421-1P.
4. THIS PART HAS NO PIN POLARITY.
5. TERMINATION FINISH IS 100% TIN.
6. OPERATION TEMPERATURE (INCLUDING SELF-HEATING): -40 ~ +125°C.



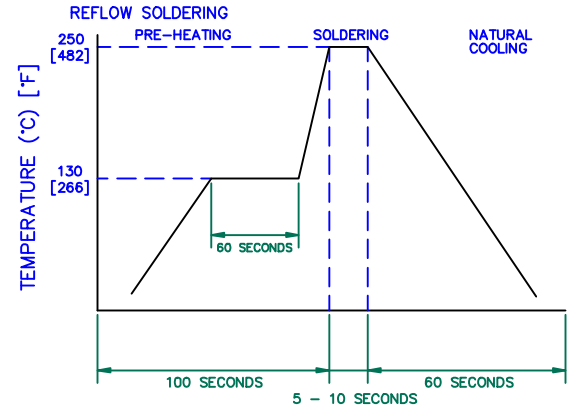
Z vs. Frequency (C, N, O)



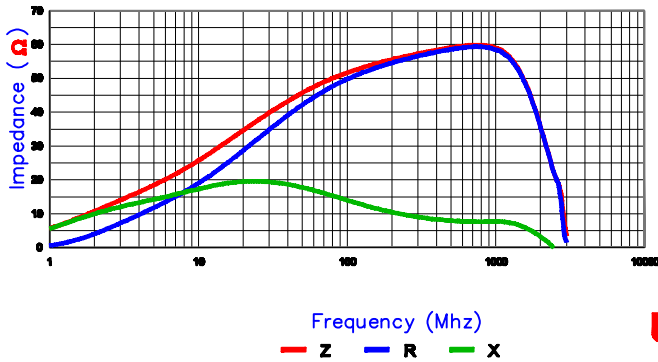
LAND PATTERNS FOR REFLOW SOLDERING



RECOMMENDED SOLDERING CONDITIONS



Z, R, X vs. Frequency COMMON MODE



UNCONTROLLED DOCUMENT

DIMENSIONS ARE IN mm [INCHES].				This print is the property of Laird Tech. and is loaned in confidence subject to return upon request and with the understanding that no copies shall be made without the written consent of Laird Tech. All rights to design or invention are reserved.			
I	ADD RATED VOLTAGE AND NOTE 6	08/30/12	QUI				
H	UPDATE NOTES 1 & 2	09/08/09	JRK				
G	UPDATE COMPANY LOGO	03/02/09	JRK				
F	ADD T2 DIMENSION TO ISO VIEW	11/28/07	JRK				
E	UPDATE COMPANY LOGO	03/30/06	JRK				
PROJECT/PART NUMBER: CM3421Y600R-10				REV	PART TYPE:	DRAWN BY:	
DATE: 07/27/05				I	ASSEMBLY	JRK	
DATE: 02/02/06				GAD #	SCALE: 7 : 1	SHEET:	
REV DESCRIPTION				DATE	INT	TOOL #	2 of 3
						H0220	

