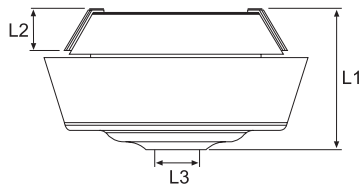




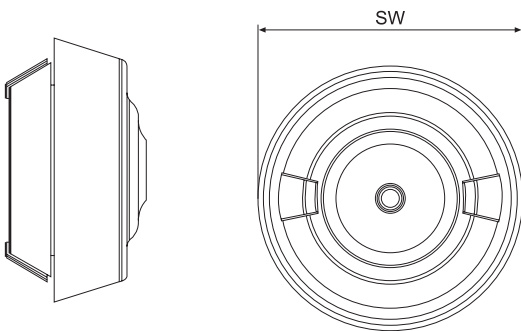
Features:

- Integrated tension relief, wide sealing range
- Suitable for holes in materials of 1.5mm to 5mm thickness
- Quick and simple assembly without the use of tools
- Halogen-free



Size	L1	L2	L3	SW
M20	20	5.7	4	29.3
M25			5	34.3

Dimensions : Millimetres



Tolerance	
0 to 6	±0.2
6 to 18	±0.3
18 to 30	±0.4
30 to 50	±0.5
50 to 80	±0.6
80 to 120	±0.7
120 to 250	±0.8

Dimensions : Millimetres

Size	For Cable / Pipe Ø	Tension Relief for cable Ø	Hole Size	Wall Thickness	Wall Thickness for IP67	Anchorage Type A for Cable Ø
M20	4 to 11	6 to 11	20.5	1.5 to 5	2 to 5	7 to 11
M25	4 to 14	6 to 13	25.5	1.5 to 5	2 to 5	7 to 13*

* 8.1 to 8.9mm only approved for tension relief

Dimensions : Millimetres

Part Number Table

Description	Size	Colour	Pack (Pieces)	Part Number
Gland, Klikseal	M20	Grey	PK50	1475803
	M25	Grey		1475804
	M20	Black		1475813
	M25	Black		1475814
	M20	White		1475823
	M25	White		1475824
	M20	Grey		1475803
	M25	Grey		1475804
	M20	Black		1475813
	M25	Black		1475814
	M20	White		1475823
	M25	White		1475824

Important Notice : This data sheet and its contents (the "Information") belong to the members of the Premier Farnell group of companies (the "Group") or are licensed to it. No licence is granted for the use of it other than for information purposes in connection with the products to which it relates. No licence of any intellectual property rights is granted. The Information is subject to change without notice and replaces all data sheets previously supplied. The Information supplied is believed to be accurate but the Group assumes no responsibility for its accuracy or completeness, any error in or omission from it or for any use made of it. Users of this data sheet should check for themselves the Information and the suitability of the products for their purpose and not make any assumptions based on information included or omitted. Liability for loss or damage resulting from any reliance on the Information or use of it (including liability resulting from negligence or where the Group was aware of the possibility of such loss or damage arising) is excluded. This will not operate to limit or restrict the Group's liability for death or personal injury resulting from its negligence. pro-POWER is the registered trademark of the Group. © Premier Farnell plc 2012.