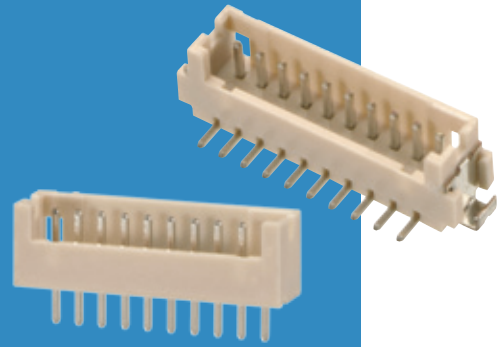


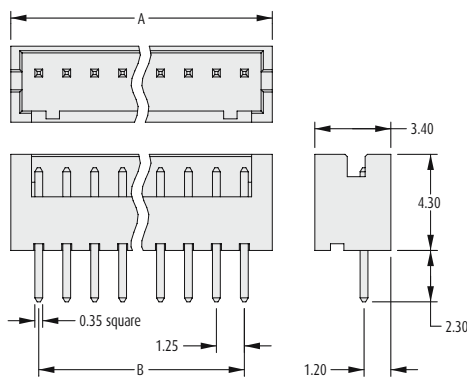
# M30 Connectors

## Male Vertical

- Shrouded male connectors.
- Suitable for use with female connectors on page 101.
- SMT version features metal solder-down tabs and locating pegs to ensure correct positioning onto the board.

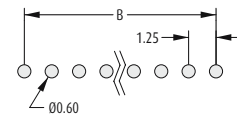


### PC TAIL



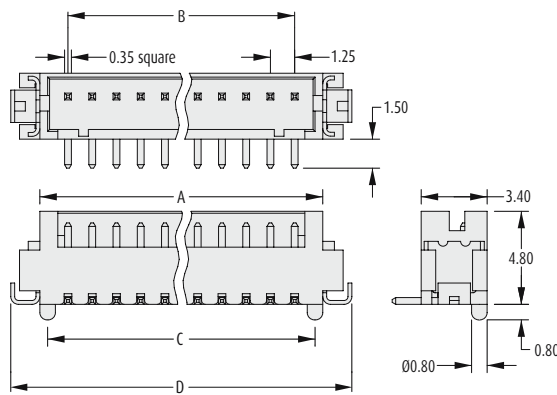
### CALCULATION

A	$1.25 \times (\text{No. of contacts per row} + 1)$
B	$1.25 \times (\text{No. of contacts per row} - 1)$



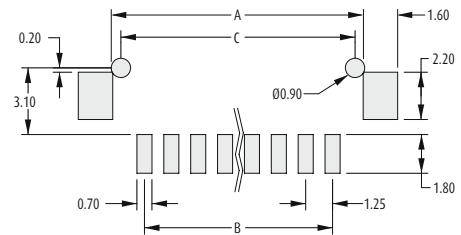
Recommended PC Board Pattern

### SURFACE MOUNT



### CALCULATION

A	$B + 2.9$
B	$1.25 \times (\text{No. of contacts per row} - 1)$
C	$B + 2.1$
D	$B + 6.0$



Recommended PC Board Pattern

### HOW TO ORDER

**M30 - 6 X 0 XX XX X**

**SERIES CODE**

**TYPE**

0	Surface Mount
1	PC Tail

**NO. OF CONTACTS PER ROW**

02 to 15

**PACKAGING**

Blank	Loose
R	Tape & Reeled (M30-600)

**FINISH**

46 Tin

All dimensions in mm.

1.25mm (.049") PITCH