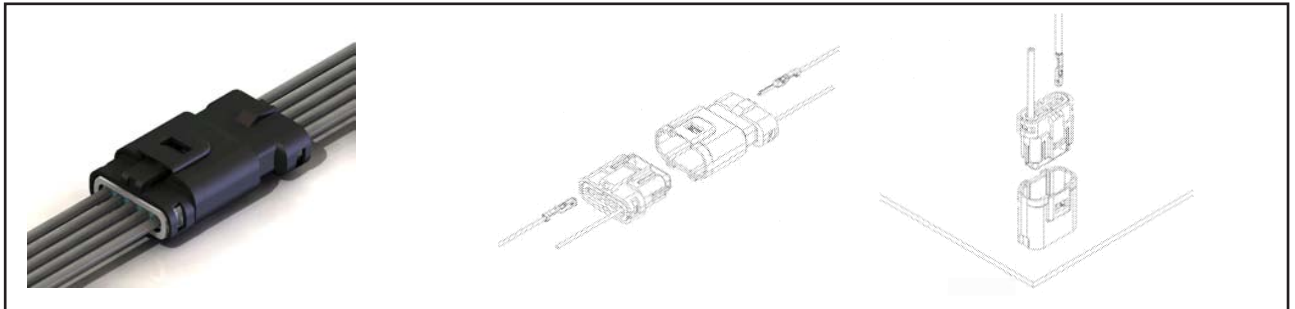


IP67 CERTIFIED



Features

- 2.5mm pitch, Rated current: 3A Max
- Fully Waterproof solution
- Available in wire-to-wire and wire-to-board (potable) options
- Seals preassembled into housing-no external sealing required
- True crimp and poke solution
- Available with wire already installed
- Waterproof caps available to cover unused holes

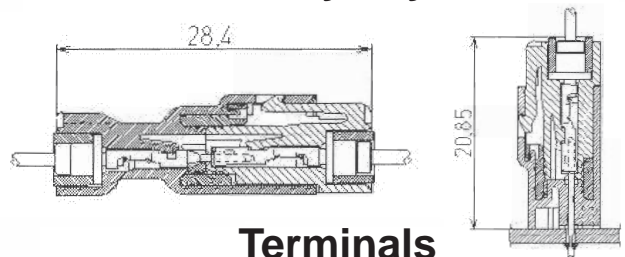
Materials

Housing	PBT (UL94V-0)
Terminal	Phosphor Bronze/Tin Plating
Pin-Block	PBT with glass (UL94V-0) Brass / Tin Plating
Wire • Housing Seal	Silicone Rubber

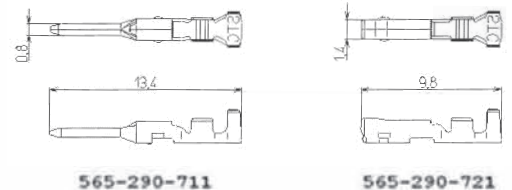
Specifications

1	Poles	2,3,5P
2	Pitch	2.5mm
3	Rated Voltage	250V
4	Rated Current	3A max.
5	Withstand Voltage	AC1000V r.m. s.
6	Contact Resistance	15m Ω max.
7	Insulation Resistance	1000M Ω min. /DC 500 V
8	Temperature Range	-40°C ~+ 105°C
9	Waterproof Grade	IP67
10	PCB Thickness	1.6mm

Assembly Layout



Terminals



Terminals are also available in strips of 50 pieces. Contact Edac for more information.

AWG #22 ~ 28		Pcs / Reel
REC(F)	565-290-721	10,000
TAB(M)	565-290-711	8,000
AWG #20 ~ 22		Pcs / Reel
REC(F)	565-290-741	8,000
TAB(M)	565-290-731	8,000

Wire Seal

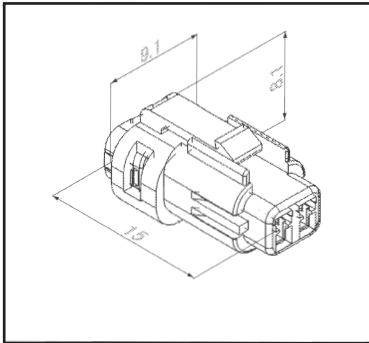
Wire Seal	Ins. Dia.	Color	Applicable Terminal
01	∅ 1.0 ~ 1.30	Yellow	565-290-711 565-290-721
02	∅ 1.30 ~ 1.70	Orange	565-290-731 565-290-741

Waterproofing Cap

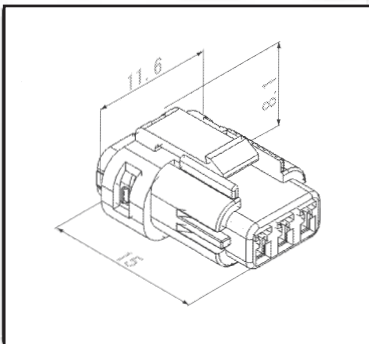
565-200-100

Female Housing

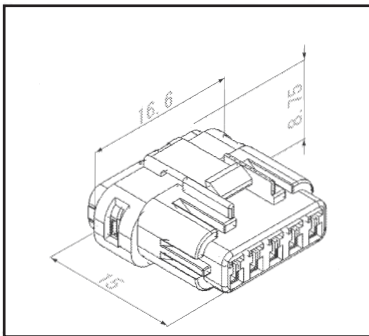
565-002-000-XXX



565-003-000-XXX

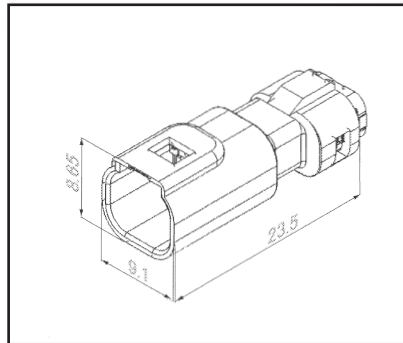


565-005-000-XXX

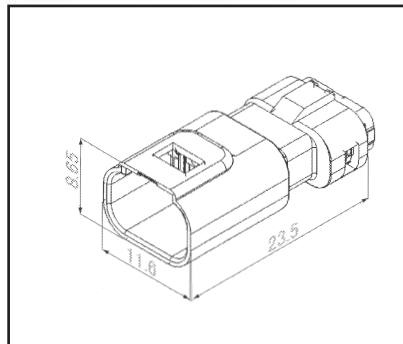


Male Housing

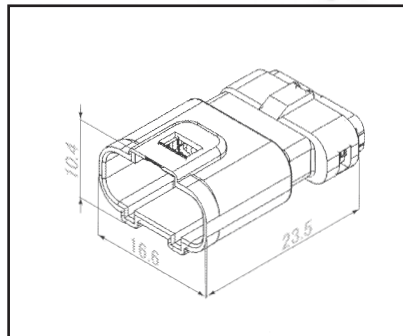
565-002-000-XXX



565-003-000-XXX

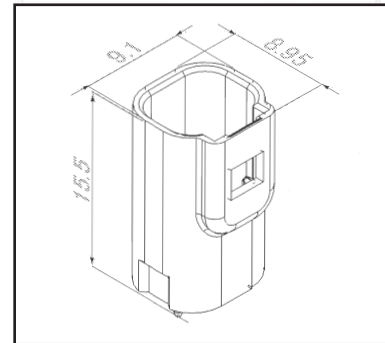


565-005-000-XXX

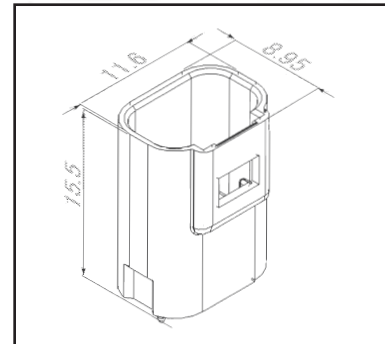


Pin-Block

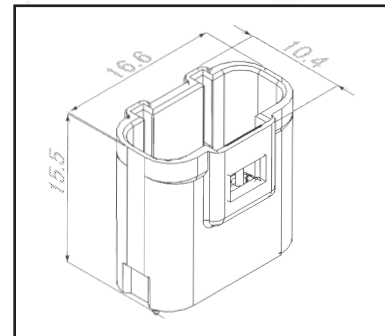
565-002-420-101



565-003-420-101



565-005-420-101



Insulation Diameter	"XXX"
1.0 to 1.30mm	410
1.30 to 1.70mm	411

Insulation Diameter	"XXX"
1.0 to 1.30mm	310
1.30 to 1.70mm	311