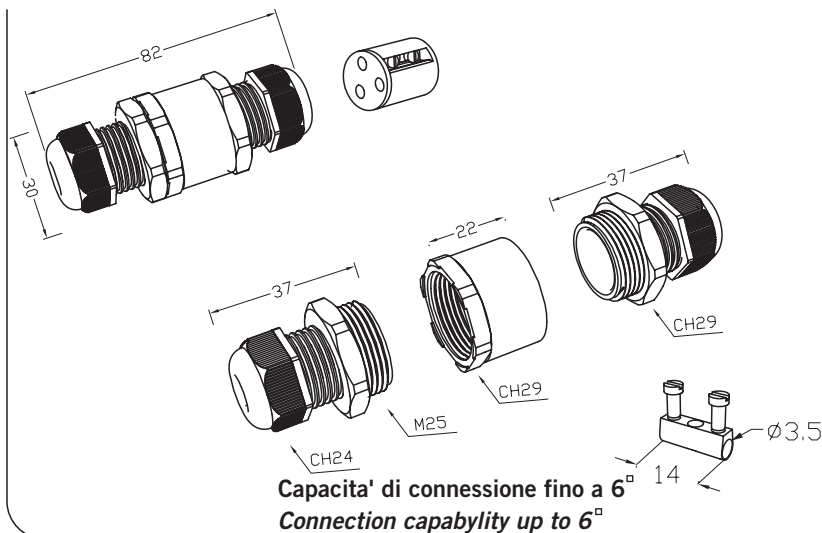




TH390

PATENTED IP68

2/3 poli



Morsetteria coassiale ad elevato grado IP. Versione 2 o 3 poli. Viti imperdibili.

Terminal block 2 or 3 poles with high IP rate. Captive screw.

Dati tecnici - Technical data

32A	4 [°]	IP68
250-450V	T85° C	2-5 BAR

Poli - Poles	H05SS-F Cavo - Wire	
	Min.	Max.
2p-3p	3G 1.5mm ²	3G 4mm ²

Coppia torsione Torque force	Tube-Corpo pressacavo Tube-Cable gland body	Corpo pressacavo-Dado Cable gland body-Nut
2p "I-L"	2.5 Nm 29	2.5 Nm 24
3p "I-L-T"	2.5 Nm 29	2.5 Nm 29

Materie prime - Raw materials

Materia plastica - Plastics

PA66 UL94 V2 GWT 850°C
PA66GF UL94 V0 GWT 960°C

-20°C
+125°C

■ Nero - Black

Gomme - Rubbers

Gommini - sealing inserts: TPE-V
Guarnizioni - seals: SILICONE silicon

Bussole - Insert

Acciaio zincato passivato
Zinc passivated steel

Ottone nichelato Nickled brass	Bussola cieca End barrier insert	1	
	Bussola STD STD insert	2	
	Bussola WP WP insert	3	

Norme - Standards

EN60529:1991+A1:2000-
IPX8:20MT/50MT-PROF;60 MIN
EN 60998-1:2004
EN 60998-2-1:2004



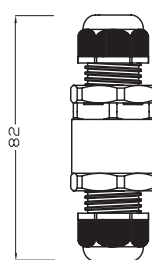
Codice - Part number

T H B . 3 9 0 . X X X

Min-Max Ø cavo - cable Ø 5÷13 mm

2 poli

3 poli



450V

IP68
5 BAR



450V

IP68
5 BAR

THB.390.A1B



THB.390.A1A



THB.390.A2B



THB.390.A2A



THB.390.A3B

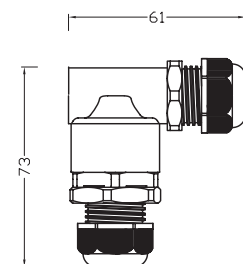


THB.390.A3A



2 poli

3 poli



450V

IP68
2 BAR



450V

IP68
2 BAR

THB.390.B1B



THB.390.B1A



THB.390.B2B



THB.390.B2A



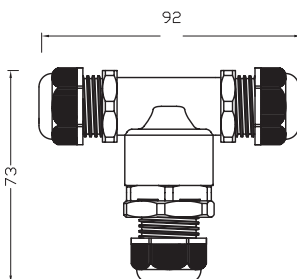
THB.390.B3B



THB.390.B3A



3 poli



450V

IP68
2 BAR

THB.390.C1A



THB.390.C2A



THB.390.C3A



Eventuali modifiche e migliorie sui dati tecnici o sul prodotto potranno essere effettuate senza preavviso.
All technical data or other eventual product modifications and improvements can be carried out without notice

Kit di fornitura non assemblato THB Unassembled kit THB

VERSIONE LINEARE "I" VERSION					
	 400 PZ THB.020.XXX	 400 PZ 6000145KC	 800 PZ 6DB00120C	 800 PZ 604000400	Min-Max Ø cavo - cable Ø 5÷13 mm
VERSIONE A "L" "L" VERSION					
	 400 PZ THB.020.XXX	 400 PZ 6000145KC	 400 PZ 6DB00120C	 800 PZ 604000400	Min-Max Ø cavo - cable Ø 5÷13 mm
					 400 PZ 6DB00140C
VERSIONE A "T" "T" VERSION					
	 200 PZ THB.020.XXX	 200 PZ 6000145KC	 200 PZ 6DB00120C	 400 PZ 604000400	Min-Max Ø cavo - cable Ø 5÷13 mm
					 200 PZ 6DB00130C

Kit di fornitura assemblato THZ Assembled kit THZ

Kit di fornitura con versionamenti e confezionamenti speciali THK Special custom packed version THK

Kit di fornitura imbustati THR Fare riferimento a catalogo THR Retail packed kit THR Please refer to THR Retail Catalogue

THR.390.SXX

**VERSIONE A "2-3P"
"2-3P" VERSION**

Nota: su richiesta è possibile montare in ingresso il pressacavo COD.604001300 per cavi da Ø8÷17

Note: On request available with cable clamp cod.604001300 for Ø8÷Ø17 cables at input

Vedi istruzioni di assemblaggio
Refer to user instructions

ABOUT US

Hylec-APL is a well established Component Distributor specialising in the bulk supply of Terminal Blocks, Connectors and Cable Glands to major OEM's, Sub-Contractor Manufacturers and leading Distribution organisations into both the Electromechanical and the Electronics sectors.

Hylec APL can provide a wide range of product options and application solutions including access to many thousands of line items from its extensive and largely exclusive supplier base. Hylec APL maintains a large UK stock profile at its base in Northants, which is geared to reflect popular market demand whilst offering enhanced product availability to its many customers.

In addition to its core product lines of Terminal Blocks and Connectors – both Electromechanical and Electronic variants - Cable Glands and Cable entry components, Hylec APL has recently extended its range to include LED's, Switches, Buzzers, Relays, Fuses and DIN Rail Mounting Enclosures. This evolutionary development is designed to not only widen market appeal but also to provide the customer with greater choice, the potential for supplier consolidation and the commercial benefits of economies of scale.

Subject to availability, delivery methods include next day carrier as standard and customer specific options, such as special packaging requirements, can be readily considered.

Product choice is supported by a wealth of product knowledge and application experience, and our technical sales team will be only too pleased to assist in the process of correct product selection.

The vast majority of products hold recognised Industrial Safety Approvals and these together with samples can be supplied upon request.

Value for money consistent with the supply of the highest possible quality of products and service is our number one priority.



APL

Hylec Components Ltd - Andromeda Products Ltd

T: +44 (0)1933 234400 ■ F: +44 (0)1933 234411
E: sales@hylec-apl.com ■ W: www.hylec-apl.com



MAKING THE RIGHT CONNECTIONS