

DC FAN



Standard Fan San Ace 200
Round type : 200mm Thick : 70mm

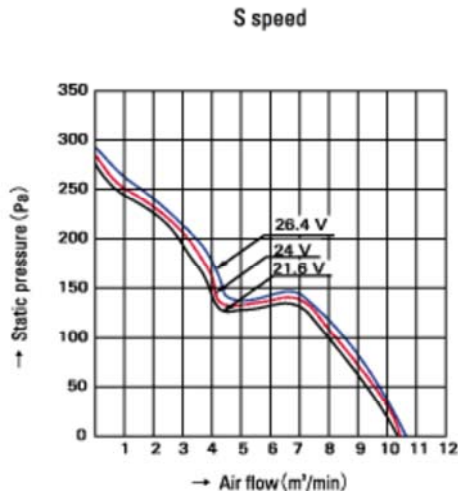
Features

Motor protection system	Current cut system (with reverse-connection protection)
Dielectric strength	50/60 Hz, 500VAC, 1 minute (between lead conductor and frame)
Fan power lead	H,AS,S,MH speeds +red, -black Control lead, brown

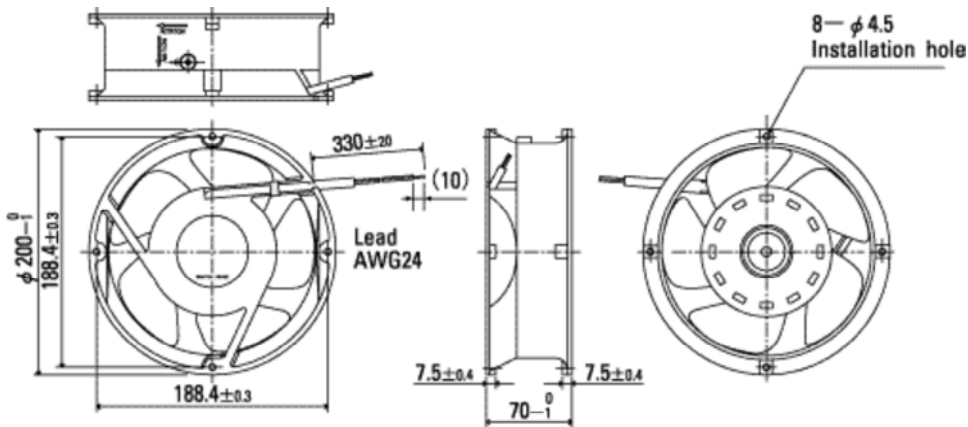
Specifications

Model No.	Rated Voltage (V)	Operating voltage range (V)	Rated current (A)	Rated input (W)	Rated speed (min ⁻¹)	Air flow (m ³ /min)	Static pressure (Pa)	Noise (dB [A])	Mass (g)
109E2024S002	24	21.6-26.4	1.9	45.6	3200	10.45	287.1	57	1800

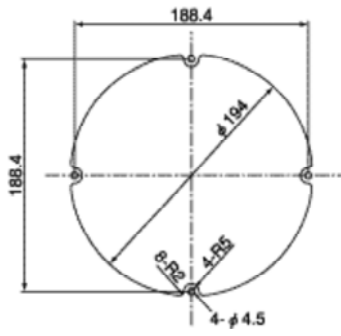
Typical air flow and static pressure characteristics



Dimensions (unit:mm)



Reference dimensional diagram for installation holes (unit:mm)



Signal connection type

