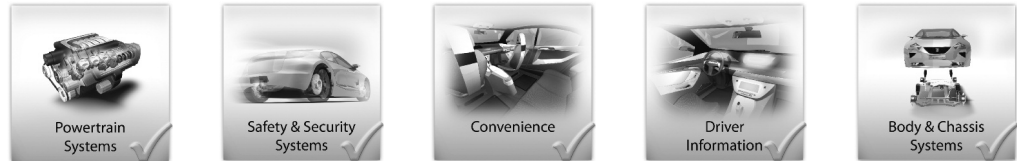
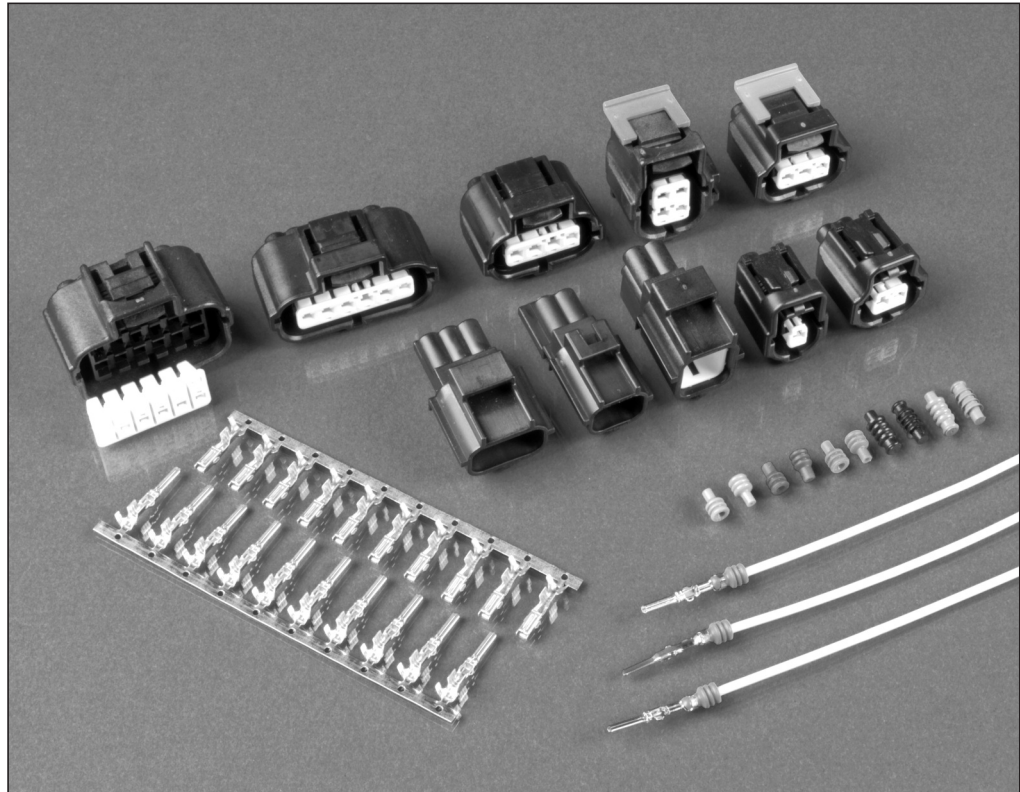


Introduction



Product Features

- Robust housing, glass filled PBT for high temperature applications
- Terminal Position Assurance (TPA) to assure proper position of contact in housing
- Damage protected internal silicone seal interface
- Industry common .070 series receptacle and tab available in gold or tin plate
- High density 5 mm centerline spacing
- Audible “Click” during mating
- Multiple positions available
- Multiple keying and housing colors available



Technical Documents

Product Specification:
108-1790

Application Specification:
114-8004

The Sealed Sensor Connector (SSC) System has been developed to meet the severe requirements of the automotive under hood environment.

Additionally, the system’s waterproof and high temperature capabilities make it ideal for many different severe environmental applications.

Both the wire seal and the connector seal ring are made of high temperature silicone and have 3 sealing ridges on their external circumferences for effective sealing and ease of assembly and connector mating.

Wire sealing is achieved by means of an individual wire seal which is inserted on the wire and crimped in the insulation support of the contact simultaneously with the wire. Interfacial sealing is achieved with a pre-assembled seal ring located in the plug assembly.

Another important feature of the plug assembly is the yellow double-lock plate. This pre-assembled plate is shipped in the “open” position and once closed provides additional retention of the contact in the housing as well as helping to detect contacts which are not fully seated.

Also, when mating, the SSC Housing provides an audible “click” to indicate proper connector mating. For applications where more than one connector is required, various keying and colors are available.

The contact used in the system is an industry standard .070 tab and receptacle and comes in tin or gold platings.

Performance Specifications:

Resistance:
3 mΩ max. (initial)
10 mΩ max. (final)

Insulation Resistance:
100 mΩ max. (initial)

Dielectric Strength:
1.0 K Vac

Sealing:
7 Psi initial
4 Psi after heat age
Conforms to IEC 529 I.P. 65/67 standard

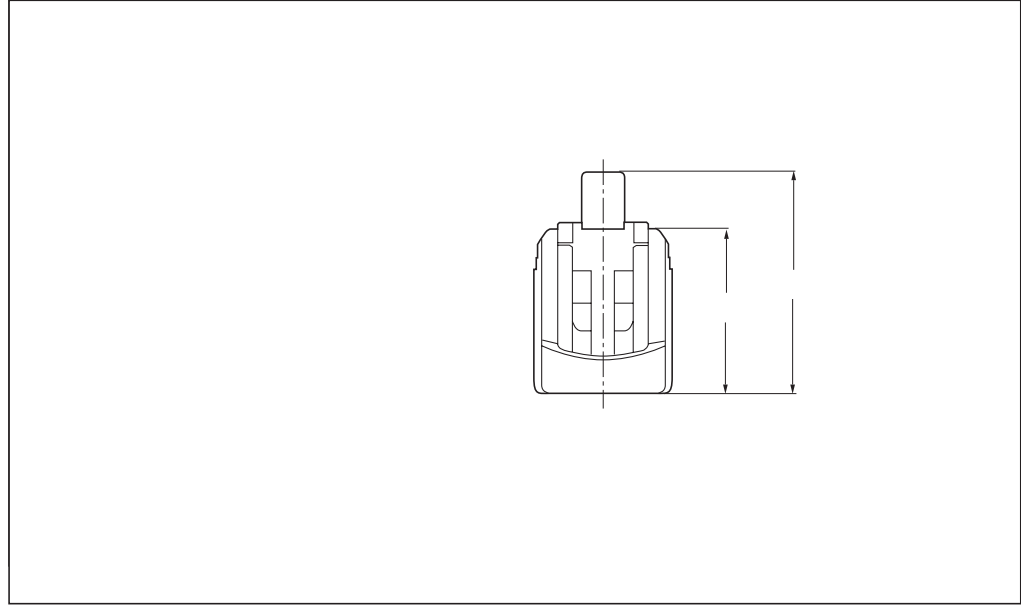
Temperature Range:
Nylon Housings: -40 °C to +150 °C
PBT Housings: -40 °C to +125 °C

Current Rating:	Size (AWG)	Rated Current
	20	10 Amps
	18	11 Amps
	16	13 Amps
	14	17 Amps

Receptacle Contact

Technical Features

- No. of Positions:**
1 Position
- Housing Material:**
Glass-filled PBT
- Wire Size Range:**
0.30–2.0 mm² (22–14 AWG)
- Product Specification:**
108-1790
- Reduction Coefficient:**
1
- Application Specification:**
114-8004
- Keying Options:**
See page 18-6



Receptacle Contacts

Wire Size Range		Wire Insulation Diameter (mm)	Material and Finish	Part Numbers				Applicator	Hand Tool
(mm ²)	(AWG)			Strip Form	Package Quantity	Loose-Piece	Package Quantity		
0.5–2.0	(20–14)	1.2–2.7	Phosphor bronze, pre-tin plated	184030-3	–	–	–	680114-2	755262-1
			Phosphor bronze, selective gold plated	184030-1	–	–	–	–	–
0.5–1.0	(22–18)	1.2–2.1	Phosphor bronze, selective gold plated	184095-1	–	–	–	680143-2	–
			Phosphor bronze, pre-tin plated	184095-2	–	–	–	–	–

Note: All Part Numbers are RoHS and ELV compliant.

Due to part number availability, please contact TE Connectivity before ordering.

Keying Options

Technical Features

No. of Positions:

4 Positions

Housing Material:

Glass-filled PBT

Wire Size Range:

0.30–2.0 mm² (22–14 AWG)

Product Specification:

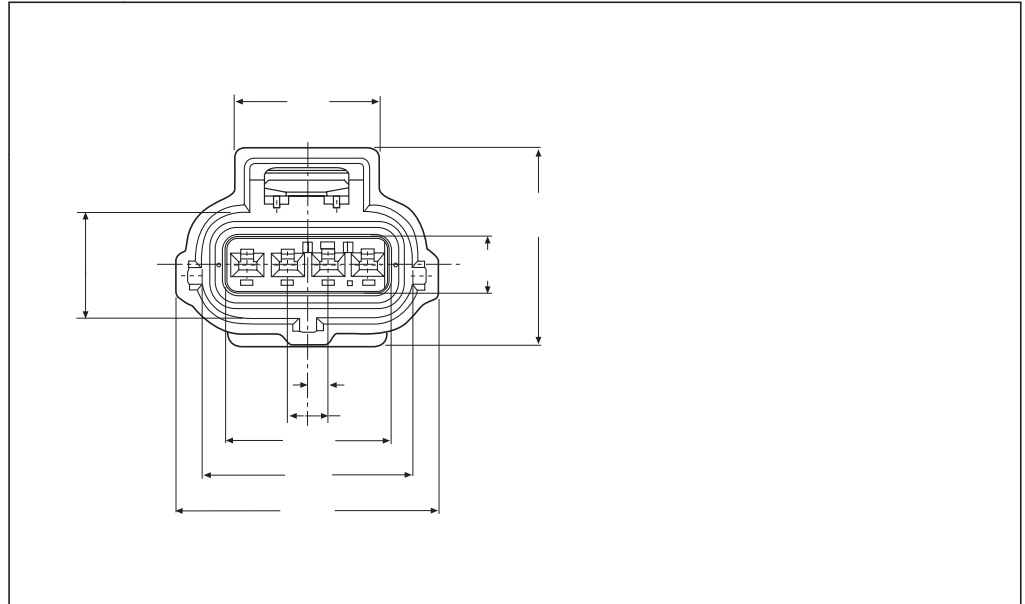
108-1790

Reduction Coefficient:

0.6

Application Specification:

114-8004



No. of Positions	Keying Options	Housing Color	Part Numbers					
			Plug Assembly	Cap Housing	Locking Device	Cover and Lever	Mating PCB Header Right-Angle	Mating PCB Header Vertical
4	A	Black	184046-1	-	-	-	-	-
			184149-1	-	-	-	-	-
	B	Black	184048-1	-	-	-	-	-
			184274-1	-	-	-	-	-
	C	Black	184050-1	-	-	-	-	-
			184275-1	-	-	-	-	-
			184050-2	-	-	-	-	-
			184275-2	-	-	-	-	-
	D	Black	184052-1	-	-	-	-	-
			184276-1	-	-	-	-	-

Note: All Part Numbers are RoHS and ELV compliant.

Due to part number availability, please contact TE Connectivity before ordering.

Sealed Sensor Connector (SSC) System (continued)

No. of Positions	Keying Options	Housing Color	Part Numbers				
			Plug Assembly	Cap Housing	Locking Device	Cover and Lever	Mating PCB Header Right-Angle Vertical
2 x 2	C	Black	184297-1				
			184388-1				
			184301-1				
			184380-1				
			184351-1				
2 x 2	C	Natural	184396-1				
			184301-2				
			184380-2				
2 x 2	D	Black	184396-2				
			184299-1				
			184390-1				
			184303-1				
			184381-1				
2 x 2	D	Natural	184353-1				
			184397-1				
			184303-2				
2 x 2	E	Black	184381-2				
			184396-2				
2 x 2	E	Black	184320-1				
			184382-1				
			184398-1				
2 x 2	F	Black	184322-1				
			184383-1				
			184399-1				
2 x 2	G	Gray	184324-2				
			184384-2				
			184400-2				
2 x 2	G	Natural	184324-1				
			184384-1				
			184400-1				
2 x 2	H	Gray	184326-2				
			184385-2				
			184401-2				
2 x 2	H	Natural	184326-1				
			184385-1				
			184401-1				

Note: All Part Numbers are RoHS and ELV compliant.

Due to part number availability, please contact TE Connectivity before ordering.

Sealed Sensor Connector (SSC) System

Technical Features

No. of Positions:

6 Positions

Housing Material:

Glass-filled PBT

Wire Size Range:

0.30–2.0 mm² (22–14 AWG)

Product Specification:

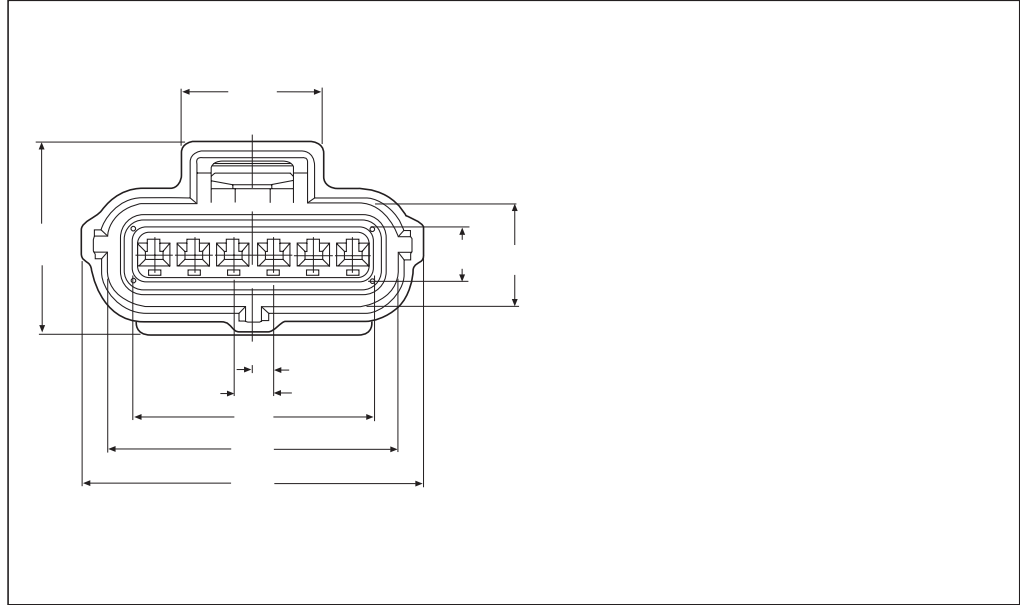
108-1790

Reduction Coefficient:

0.55

Application Specification:

114-8004



No. of Positions	Keying Options	Housing Color	Part Numbers					
			Plug Assembly	Cap Housing	Locking Device	Cover and Lever	Mating PCB Header Right-Angle	Mating PCB Header Vertical
6	A	Black	184060-1	–	–	–	–	–
	A	Black – Circuits #1 & 6 Blocked	184026-1	–	–	–	–	–
	A	Black – Circuit #6 Blocked	184313-1	–	–	–	–	–
	A	Black – Circuit #4 Blocked	184318-1 (obs)	–	–	–	–	–
	A	Black – Circuits #3 & 6 Blocked	184452-1	–	–	–	–	–
	A	Black – Circuit #3 Blocked	184372-1 184341-1	–	–	–	–	–
	B	Black	184124-1	–	–	–	–	–
	B	Black – Circuits #1 & 6 Blocked	184132-1	–	–	–	–	–
	C	Black	184126-1	–	–	–	–	–
	C	Black – Circuits #1 & 6 Blocked	184134-1	–	–	–	–	–
	D	Black	184128-1	–	–	–	–	–
	D	Black – Circuits #1 & 6 Blocked	184136-1	–	–	–	–	–

Note: All Part Numbers are RoHS and ELV compliant.