

# PCB DIN Socket

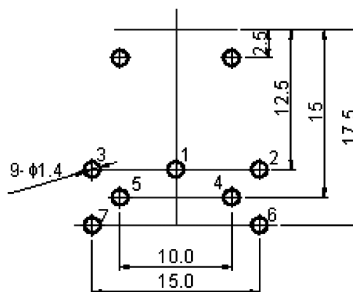
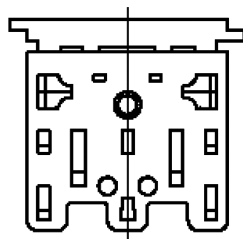
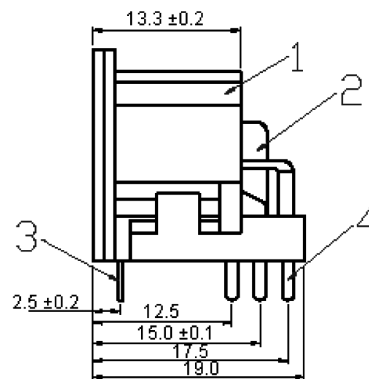
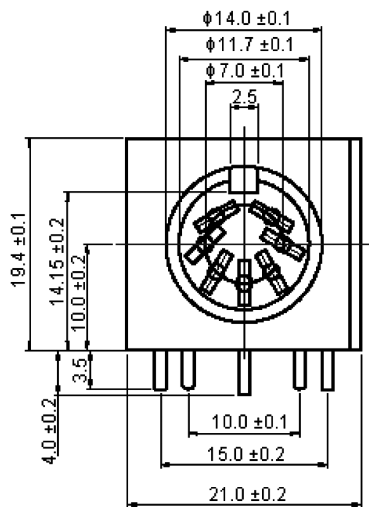
## 7 way

pro-SIGNAL



### Specifications

Connector Type	: Audio, DIN
No. of Contacts	: 7
Gender	: Receptacle
Connector Colour	: Black
Contact Termination	: Solder
Contact Plating	: Silver
Pin Size	: 3.5mm
Connector Mounting	: PCB
Current Rating	: AC : 100V 1A DC : 12V 2A
Max. Contact Resistance	: 100MΩ (after 1,000 cycles insertion/extraction)
Dielectric Withstanding Voltage	: 500V AC for 1 minute
Min. Insulation Resistance	: 100MΩ at 500V AC. Applied for 1 minute
Max. Insertion Force	: 3kg
Extraction Force	: 2kg to 3kg



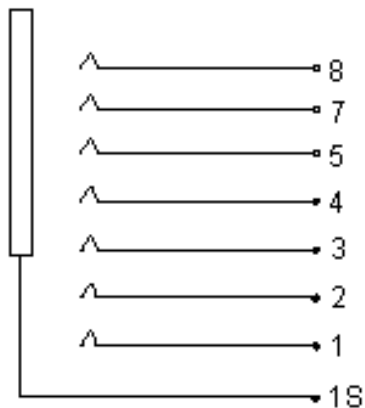
Dimensions : Millimetres

pro-SIGNAL

# PCB DIN Socket

## 7 way

pro-SIGNAL



Schematic

Item	Designation	Material	Finish
1	Housing	PBT + 30%G	Black Colour
2	Cover		
3	Earth Terminal	0.2T Phosphor Bronze	Silver Plating
4	Terminal	0.7T Brass	

### Part Number Table

Description	Part Number
DIN Socket, PCB, 7P	PSG03465

**Important Notice :** This data sheet and its contents (the "Information") belong to the members of the Premier Farnell group of companies (the "Group") or are licensed to it. No licence is granted for the use of it other than for information purposes in connection with the products to which it relates. No licence of any intellectual property rights is granted. The Information is subject to change without notice and replaces all data sheets previously supplied. The Information supplied is believed to be accurate but the Group assumes no responsibility for its accuracy or completeness, any error in or omission from it or for any use made of it. Users of this data sheet should check for themselves the Information and the suitability of the products for their purpose and not make any assumptions based on information included or omitted. Liability for loss or damage resulting from any reliance on the Information or use of it (including liability resulting from negligence or where the Group was aware of the possibility of such loss or damage arising) is excluded. This will not operate to limit or restrict the Group's liability for death or personal injury resulting from its negligence. pro-SIGNAL is the registered trademark of the Group. © Premier Farnell plc 2012.

www.element14.com  
 www.farnell.com  
 www.newark.com  
 www.cpc.co.uk

pro-SIGNAL