

SH. 1  
OF 1

CAT NO

25-141J

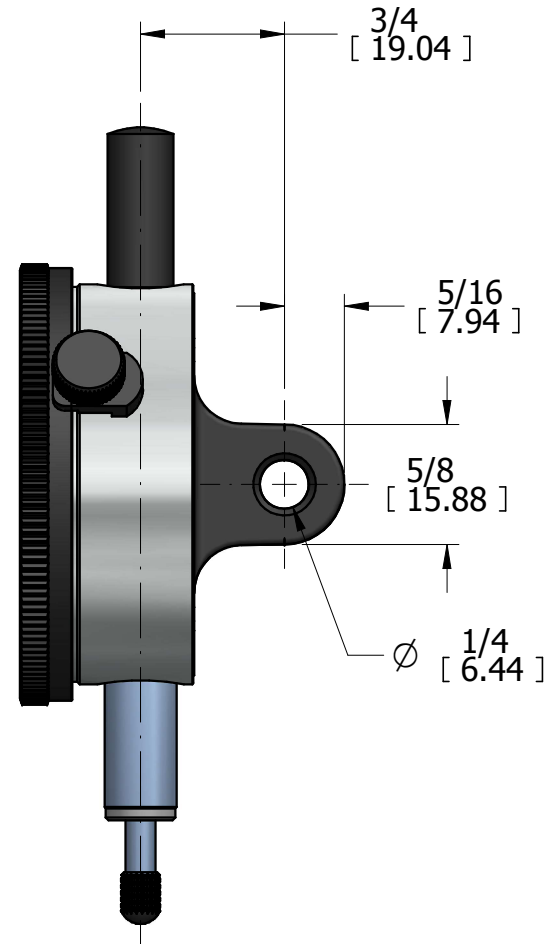
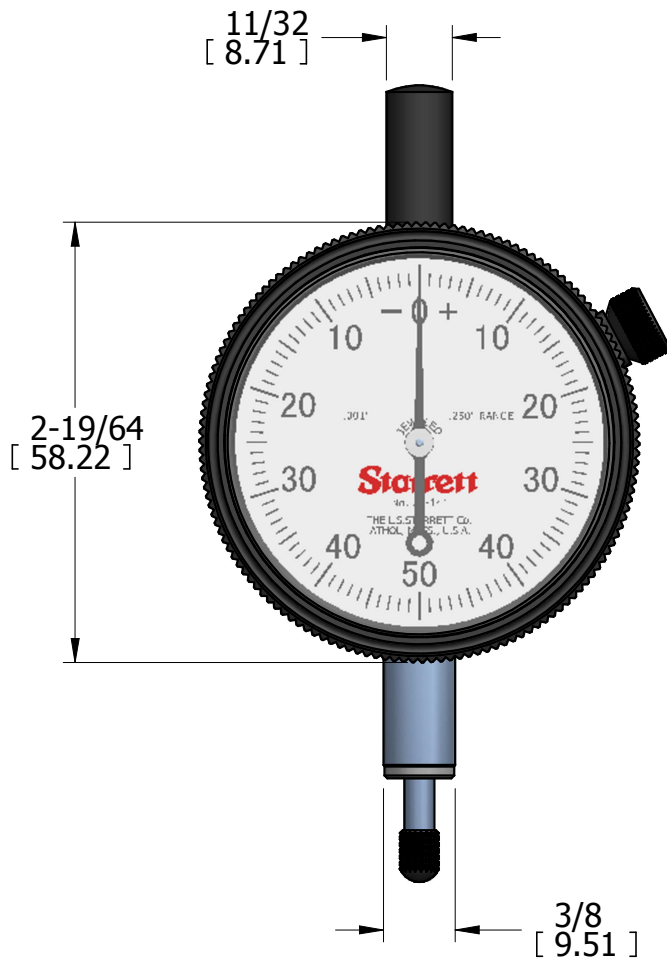
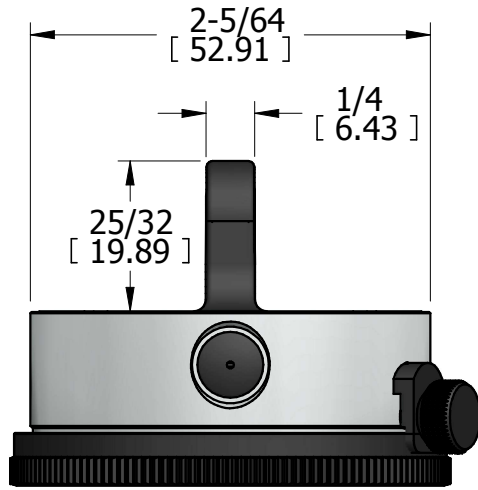
CUSTOMER DIMENSIONS

DO NOT  
SEPARATE  
PRINT FROM  
WORK

LOT NO

OPER

TOOLS




REV	DESCRIPTION	DATE	BY
-----	-------------	------	----

DR	DS	CHK	DATE
----	----	-----	------

DIAL INDICATOR  
ASSEMBLY

FRACTIONAL TOLERANCE +/- 1/64 UNLESS OTHERWISE NOTED

THE L.S. STARRETT CO.  
ATHOL, MASS.