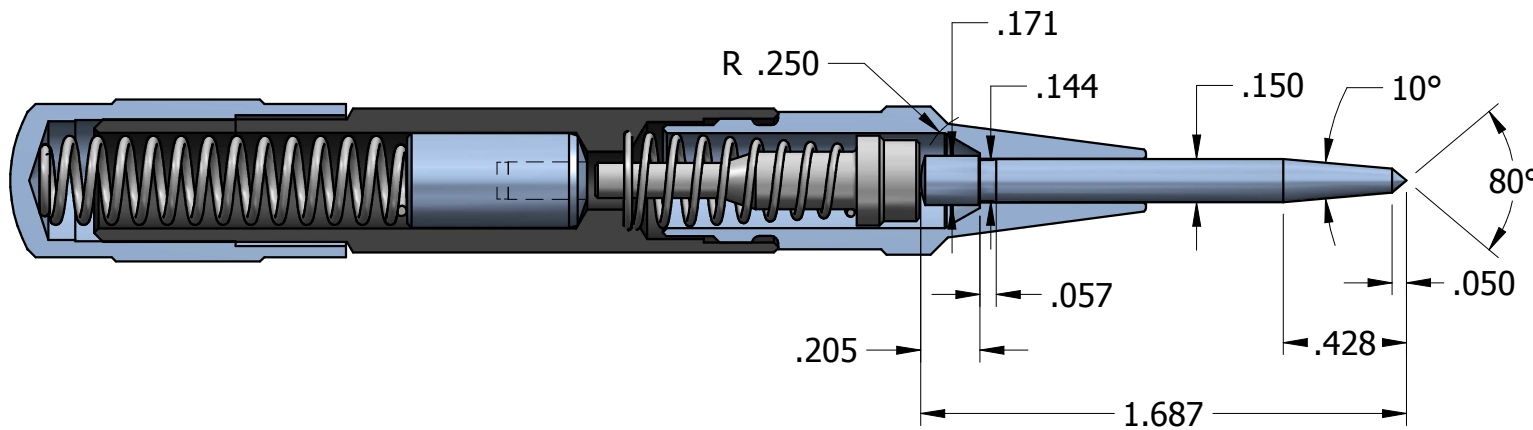
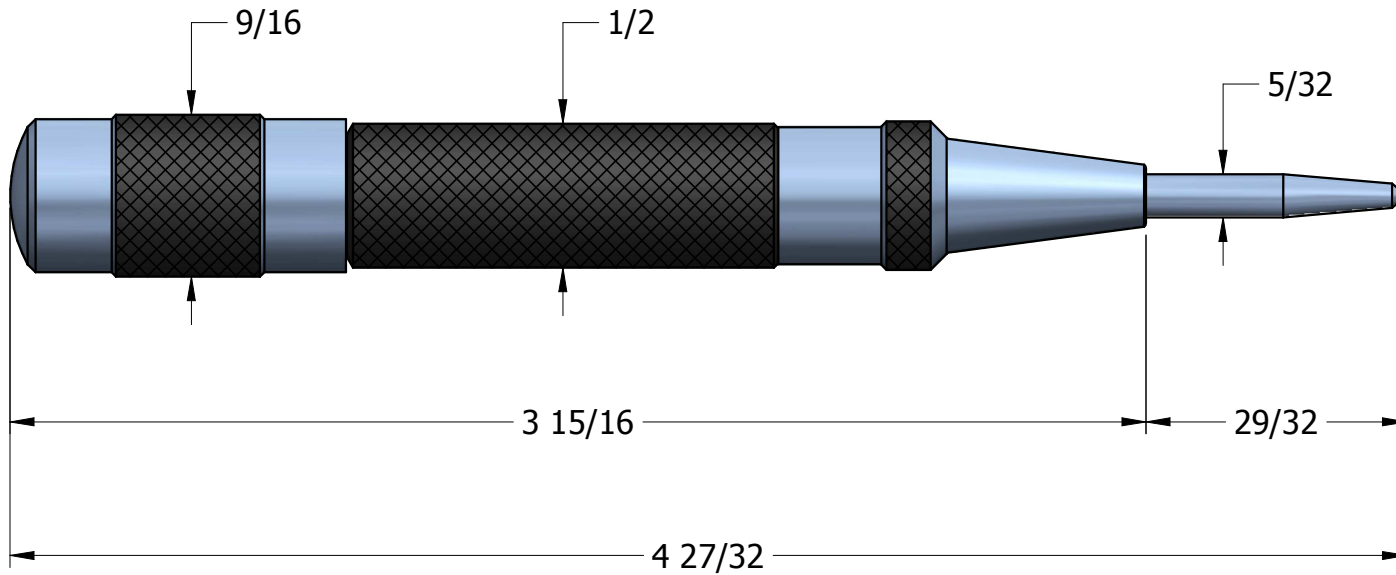


OPER

TOOLS



REV	DESCRIPTION	DATE	BY
DR	JKB	CHK	DATE 7-15-2010

AUTOMATIC CENTER PUNCH

THE L.S. STARRETT CO.
ATHOL, MASS.

FRACTIONAL TOLERANCE +- 1/64 UNLESS OTHERWISE NOTED