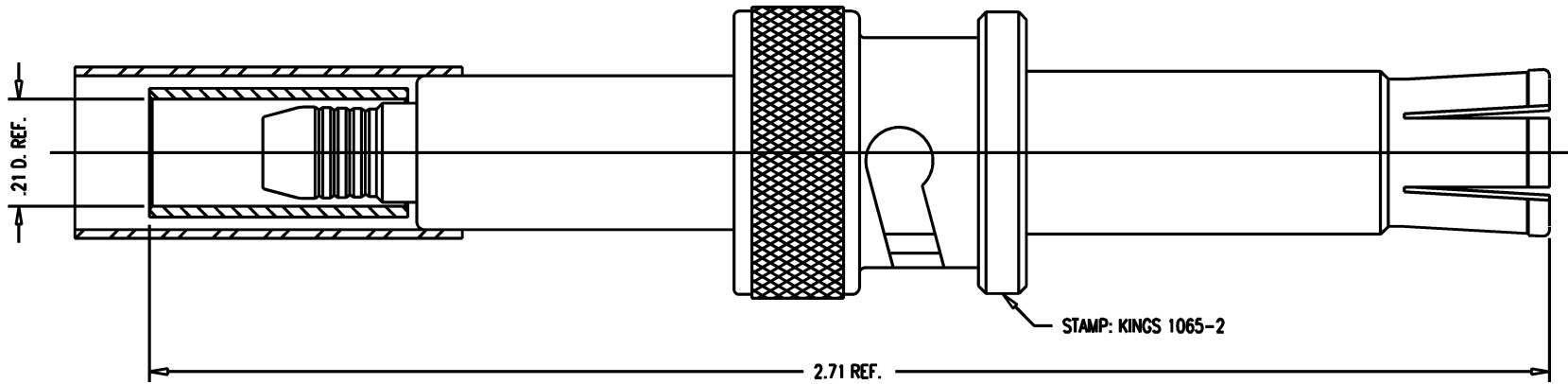


# GSD

1065-2



**NOTES:**

1. FOR USE WITH LASL TYPE C 9Y19503 CABLE.
2. FOR CABLING INSTRUCTIONS SEE CP-419.
3. MATERIALS:
  - HEAT SHRINK TUBE: POLYOLEFIN, MIL-I-23053/5
  - O-RING: SYNTHETIC RUBBER, MIL-P-25732
  - GASKET: SILICONE RUBBER, ZZ-R-765
  - INSULATOR: H.D.POLYETHELENE, MIL-P-22748
  - K-GRIP SLEEVE: COM'L BRONZE, ASTM-B-140
  - SPRING WASHER } BER. COPPER, ASTM-B-194
  - CENTER CONTACT }
  - BODY }
  - ALL OTHER METAL PARTS: BRASS, ASTM-B16
4. FINISHES:
  - CENTER CONTACT: GOLD PLATE PER MIL-G-45204
  - SPRING WASHER: SILVER PLATE PER QQ-S-365
  - ALL OTHER METAL PARTS: KINGS TARNISH RESISTANT NICKEL FINISH (TR-5)
5. ELECTRICAL CHARACTERISTICS:
  - NOMINAL IMPEDANCE: NON-CONSTANT
  - OPERATING VOLTAGE: 10KV DC

**REVISIONS**

ISSUE	CHANGES
8	CN 36757 C REDRAWN ME 01/04/96

QGS1138

SCALE : 4:1

APPROX SURFACE AREA

USED ON

REF:

PL, 10KV, F

DRAWN	ME	01/04/96
DESIGN	MJB	01/04/96
APPR.		DATE

**KINGS**  
ELECTRONICS CO., INC.  
TUCKAHOE, NEW YORK 10707

1065-2

# GSD