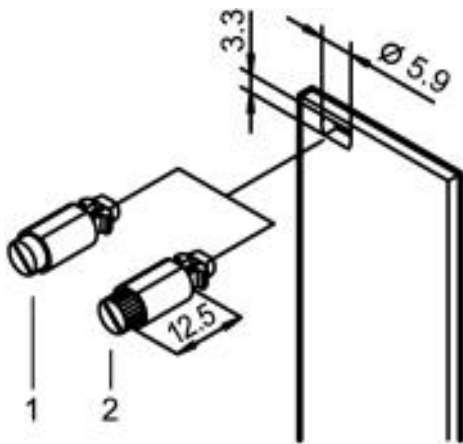


## Quarter-turn fastener with slotted head



Product illustrations are exemplary illustrations and can deviate from supplied products.

**Part no.:**  
21101-  
847

### Features:

- Vibration and shakeproof
- 1/4- rotary lock with defined stop
- Detection of fastening position with slot position
- Qty 100 pieces



### Technical information:

Description	Qty/PU
With slotted head, grey	100 piece

### Delivery comprises:

Qty	Description
1	Locking pins, diecast steel
1	Press-in sleeve, POM

**Note:** Quick-release fasteners: mounting without threaded inserts