



- Compact design**
- Wide adjustment range**
- Color coded temperature dials**
- DIN rail mountable**

**Thermostat NC (normally closed)**

Thermostat opens on temperature rise - for regulating heaters or for switching signal devices. Comes with **red** temperature dial.

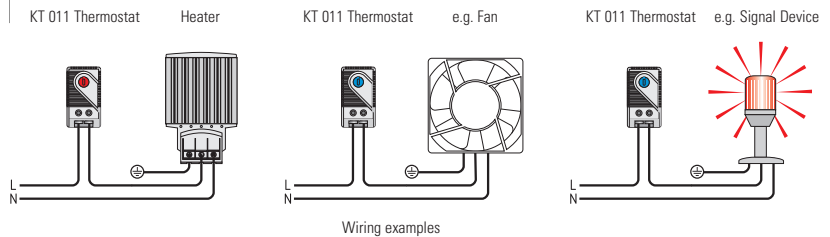
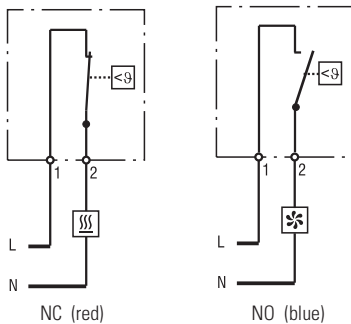
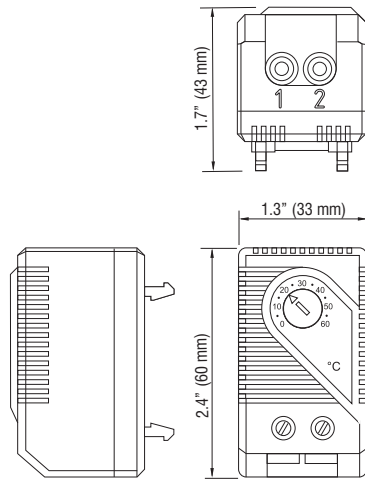
**Thermostat NO (normally open)**

Thermostat closes on temperature rise - for regulating filter fans and heat exchangers or for switching signal devices. Comes with **blue** temperature dial.



**Technical Data**

<b>Switching difference</b>	12.6 °F ± 7 °F tolerance (7 K ± 4 K)
<b>Sensor element</b>	thermostatic bimetal
<b>Contact type</b>	snap-action contact
<b>Service life</b>	> 100,000 cycles
<b>Max. switching capacity</b>	15 A resistive / 2 A inductive @ AC 120 V 10 A resistive / 2 A inductive @ AC 250 V
<b>Max. inrush current</b>	DC 30 W AC 16 A for 10 sec.
<b>Connection</b>	2-pole terminal, clamping torque 0.5 Nm max.: solid wire - AWG 14 max. (2.5 mm <sup>2</sup> ) stranded wire (with wire end ferrule) - AWG 16 (1.5 mm <sup>2</sup> )
<b>Housing</b>	plastic, UL 94V-0, light grey
<b>Mounting</b>	clip for 35 mm DIN rail, EN 60715 (or for Exhaust Filter EF 118 Series)
<b>Mounting position</b>	vertical
<b>Operating / Storage temperature</b>	-49 to +176 °F (-45 to +80 °C)
<b>Dimensions</b>	2.4 x 1.3 x 1.7" (60 x 33 x 43 mm)
<b>Weight</b>	approx. 1.4 oz. (40 g)
<b>Protection type</b>	IP20



Setting range	Part No. (NC)	Part No. (NO)	Approvals
+32 to +140 °F	01140.9-00	01141.9-00	UL File No. E164102, CSA, VDE
0 to +60 °C	01146.9-00	01147.9-00	UL File No. E164102, CSA, VDE
-10 to +50 °C	01142.0-00	N/A	UL File No. E164102, CSA, VDE
+10 to +70 °C	N/A	01149.9-00	UL File No. E164102, CSA, VDE
-15 to +45 °C	01157.0-00	01156.0-00	UL File No. E164102, CSA, VDE
+20 to +80 °C	01159.0-00	01158.0-00	UL File No. E164102, CSA, VDE

Specifications are subject to change without notice. Suitability of this product for its intended use and any associated risks must be determined by the end customer/ buyer in its final application.