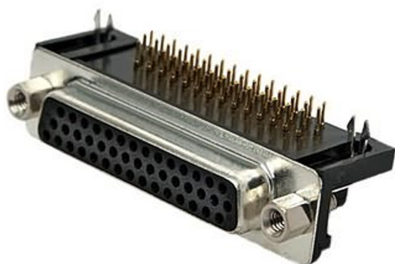


D-Sub Socket

Right Angle, PCB, 44Way

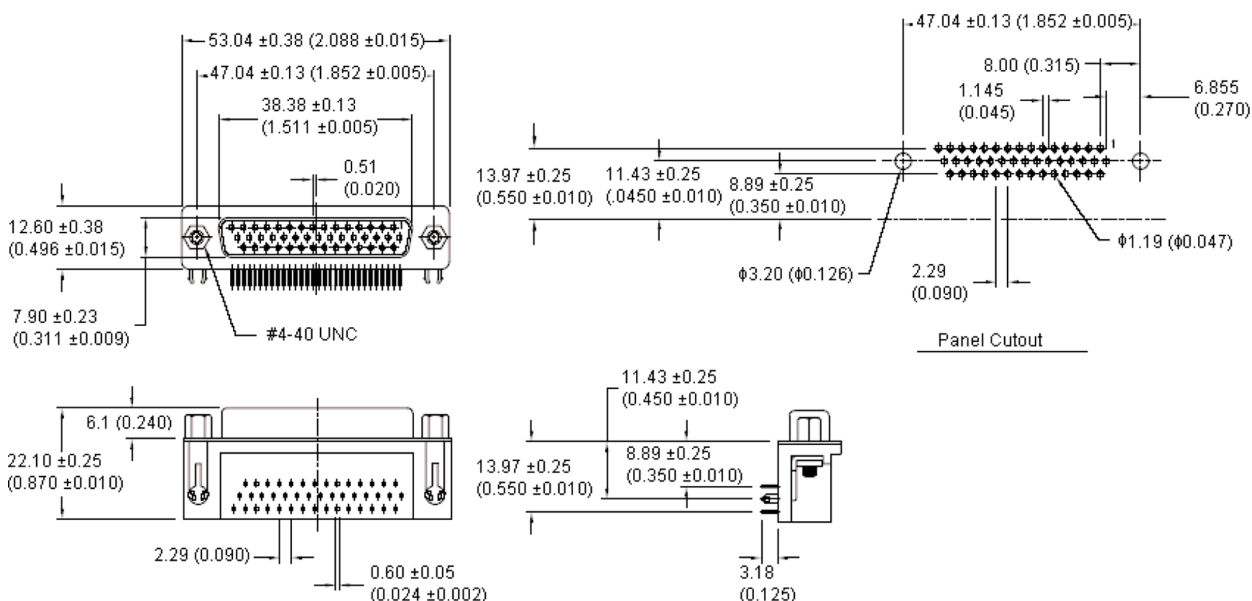


**RoHS
Compliant**



Specifications:

Shell	: Steel, Nickel-Plated Over Copper
Insulator	: PBT + 30% Fibre Glass, Black Colour
Contact	: Copper Alloy, Gold-Plated on Contact Area Tin-Plated on Dip Solder Tail
Rivet	: Metal, Nickel-Plated
Board-Lock	: Brass, Tin-Plated
Jack-Screw	: Brass, Nickel-Plated
Current Rating	: 2A
Min. Insulation Resistance	: 5,000MΩ at 500V DC
Min. Dielectric Withstanding Voltage	: 1,000V AC for 1 minute
Max. Contact Resistance	: 20mΩ
Working Temperature	: -55°C to +105°C
No. of Contacts	: 44
Gender	: Receptacle



Dimensions : Millimetres (Inches)

Part Number Table

Description	Part Number
High Density D-Sub Socket, 44Way	SPC15324

Important Notice : This data sheet and its contents (the "Information") belong to the members of the Premier Farnell group of companies (the "Group") or are licensed to it. No licence is granted for the use of it other than for information purposes in connection with the products to which it relates. No licence of any intellectual property rights is granted. The Information is subject to change without notice and replaces all data sheets previously supplied. The Information supplied is believed to be accurate but the Group assumes no responsibility for its accuracy or completeness, any error in or omission from it or for any use made of it. Users of this data sheet should check for themselves the Information and the suitability of the products for their purpose and not make any assumptions based on information included or omitted. Liability for loss or damage resulting from any reliance on the Information or use of it (including liability resulting from negligence or where the Group was aware of the possibility of such loss or damage arising) is excluded. This will not operate to limit or restrict the Group's liability for death or personal injury resulting from its negligence. Multicom is the registered trademark of the Group. © Premier Farnell plc 2012.

www.element14.com
www.farnell.com
www.newark.com

