

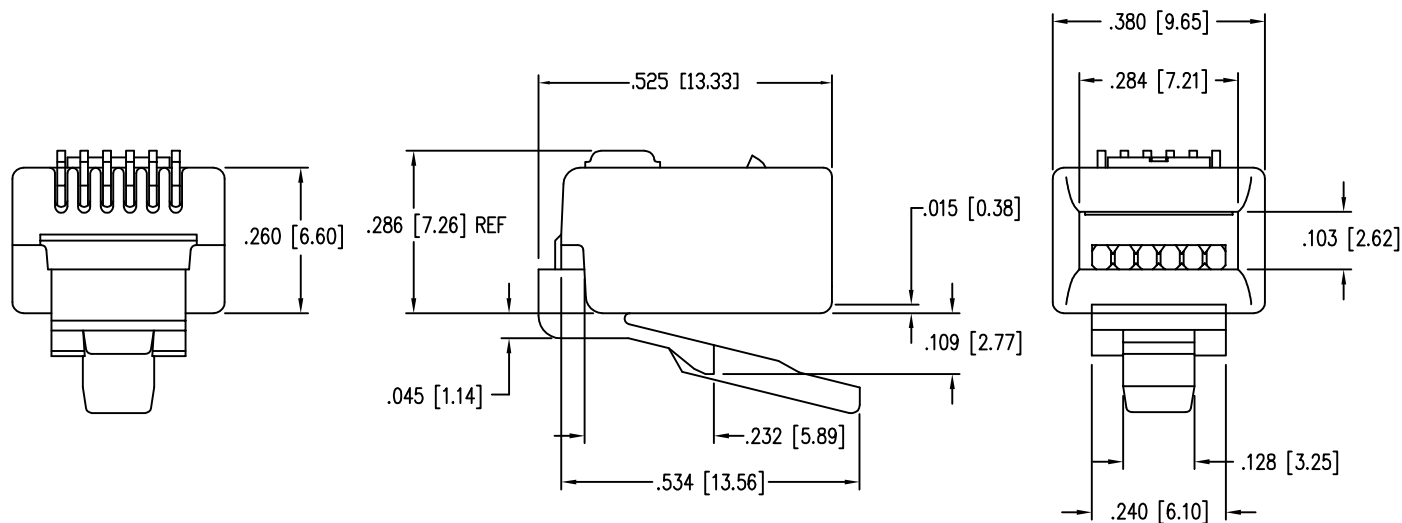
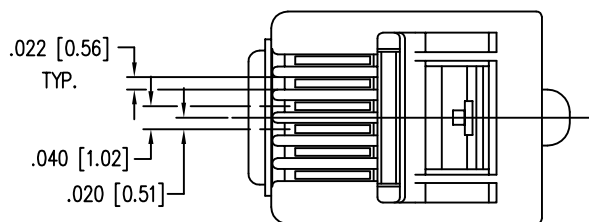
Sentinel® Connector Systems Inc.

1953 Stanton Street

York, Pa. 17404

PART NO.: 101-060600-24

- * SIX CONDUCTOR MODULAR PLUG
- * FOR CONDUCTORS WITH MAXIMUM O.D. OF .038
- * FOR SOLID WIRE APPLICATIONS
- * USES .014 THICK CONTACT



SPECIFICATIONS :

CONTACT MATERIAL: PHOSPHOR BRONZE - .014 THK
 CONTACT PLATING: 50 MICRO-INCH SELECTIVE GOLD PLATE IN CONTACT AREA OVER 100 MICRO-INCH MINIMUM NICKEL PLATING. OTHER PLATING THICKNESSES AVAILABLE.

PLUG MATERIAL: POLYCARBONATE

PLUG TOLERANCES AND DIMENSIONS: * COMPLIES WITH ANSI/TIA-1096-A REQUIREMENTS

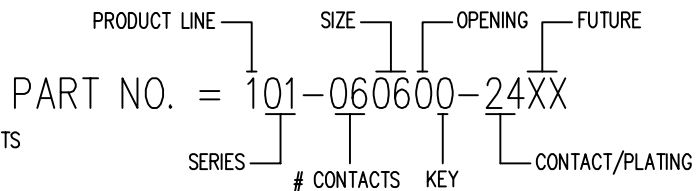
UL FLAMABILITY RATING: 94-V0 - File# E188111

OPERATION TEMPERATURE: -40°C TO +70°C

INSERTION/EXTRACTION LIFE: 1000 CYCLES

CONTACT RESISTANCE: 10 MILLOHMS MAX.

CURRENT/VOLTAGE: 30 VAC/42 VDC AT 1.5 AMPS
 (RoHS COMPLIANT)



* FORMER COMPLIANCE, FCC PART 68.500
 RECOMMENDED HAND TOOL FROM SENTINEL: 900000 / 900205 OR 90005 / 900217

4/17/12 A2
 1/21/10 A1
 5/4/98