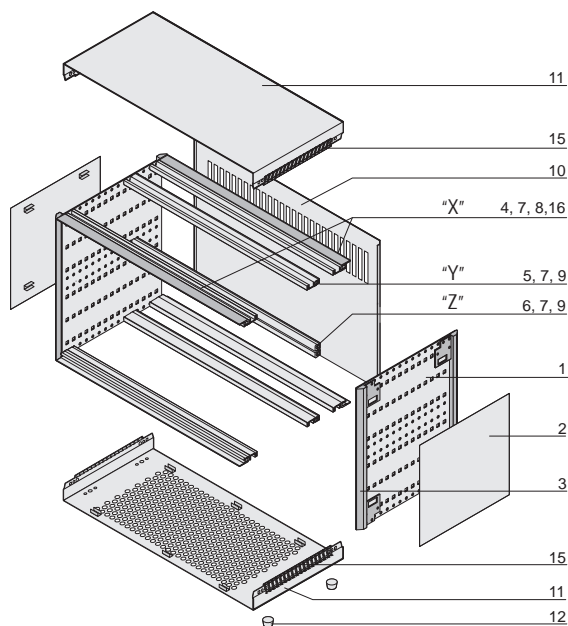


# Desk-top cases

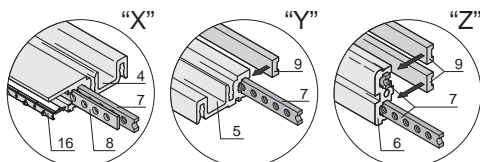
## ratiopacPRO complete cases



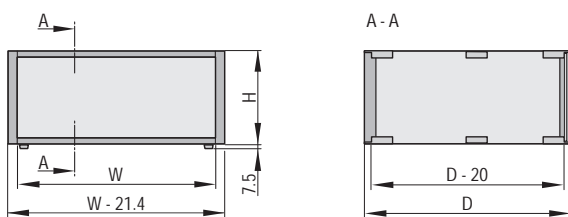
06812003



01802050

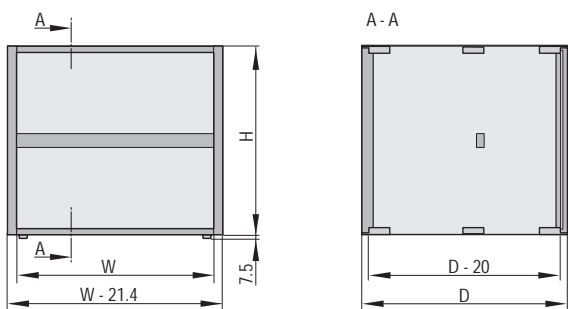


01808055



01808051

3 U



01808052

6 U

- Desk-top enclosure with pre-configured components, in accordance to IEC 60297-3-101; prepared for 19" components, e.g. plug-in units and euroboards
- Ventilation slit in base plate
- Rear panel perforated

### Delivery comprises (in kit form)

Item	Qty		Description
	without EMC	with EMC	
1	2	2	Side panel, Al, 2 mm, passivated
2	2	2	Side plate, Al, 1 mm, visible surfaces RAL 9006
3	4	4	Cover strip, Al die-cast, RAL 7016, pre-fitted only on EMC version
4	4	4	Horizontal rail, type H-LD, Al, visible surfaces RAL 7016
5	2	2	Horizontal rail, centre (top/bottom), type H-ST, Al
6	1	1	Horizontal rail, centre (on 6 U only), type ST, Al
7	6/8	6/8	3 U/6 U: threaded inserts, St, pre-mounted, for indirect backplane mounting with insulation strips
8	-	4	Perforated strip, Al, 1 mm, pre-fitted
9	4	4	Insulation strip, PBT, UL 94 V-0
10	1	1	Rear panel, perforated, Al, 2.5 mm
11	2	2	Top cover and base plate, Al, 1 mm, internal surfaces conductive, visible surfaces RAL 9006, with GND/earthing connection, base plate with honeycomb grid ventilation
12	4	4	Case foot with anti-slip protection, UL 94 V-0, PC black
14	-	1	EMC support profile for side panel, pre-mounted (kit)
15	-	4	EMC contact strip for cover plate, pre-mounted (kit)
16	-	4	EMC contact strip front panel - horizontal rails
17	1	1	GND/earthing kit, assembly kit

### Order Information

U	Height H	Width W	Depth D	Unshielded	EMC shielded
				Part no.	Part no.
3	28	28	255.5	24572-001	24572-050
3	42	42	255.5	24572-002	24572-051
3	42	42	315.5	24572-003	24572-052
3	63	63	315.5	24572-004	24572-053
3	84	84	315.5	24572-005	24572-054
3	84	84	375.5	24572-006	24572-055
3	84	84	435.5	24572-007	24572-056
6	42	42	315.5	24572-015	24572-064
6	63	63	315.5	24572-016	24572-065
6	84	84	315.5	24572-017	24572-066
6	84	84	375.5	24572-018	24572-067
6	84	84	435.5	24572-019	24572-068

### Note

- Dimension drawings and mounting depths see page 5.9
- Components see page 5.18
- Front handles and 19" mounting brackets from page 5.24
- Guide rails from page 5.40



ServicePLUS see page 5.4