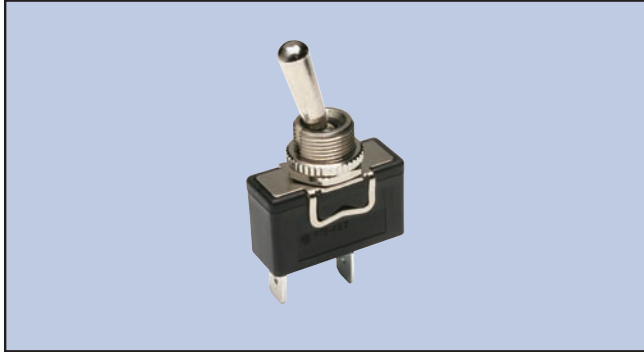


# Waterproof Bat Handle Toggle

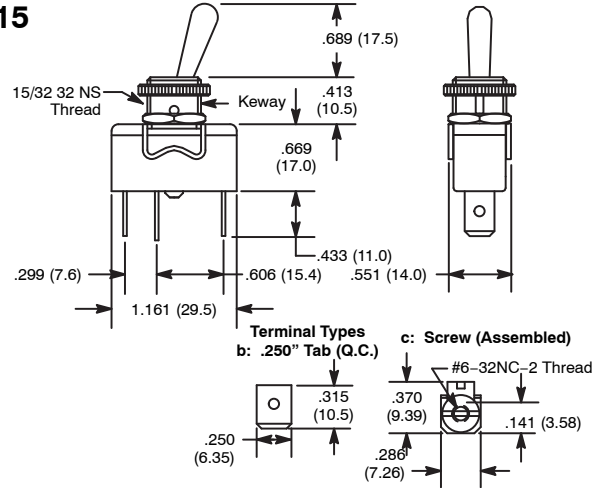


## Features

- Waterproof: IP56
- Single Pole Types
- Internal "O" Ring for Moisture and Dust Resistance
- .250" Quick Connect Terminals



## S115



## Specifications

### Current Rating:

- A: 16A 277VAC, 1 HP
- B: 20A 277VAC, 1 HP

**Insulation Resistance:** 100 Megohms (min.) at 500VDC

**Dielectric Strength:** 1500V RMS (min.)

**Temperature Rating:** +32°F to +149°F (0°C to +65°C)

**Electrical Life:** 6,000 cycles

**Mechanical Life:** 10,000 cycles at full load

**Terminal Type:** Refer to Diag No. in Table

**Mounting Hole:** .472 (12.0)

	NTE Type No.	Circuitry	Current Rating	Action			Actuator	Diag No.
NEW	54-348W#	SPST	B	ON	NONE	OFF	Brass/Nickel Plate	S115b
NEW	54-349W	SPDT	A	ON	NONE	ON	Brass/Nickel Plate	S115b
NEW	54-350W	SPDT	A	ON	OFF	ON	Brass/Nickel Plate	S115b
NEW	54-352W	SPDT	A	(ON)	OFF	(ON)	Brass/Nickel Plate	S115b
NEW	54-354W	SPST	B	ON	NONE	OFF	Brass/Nickel Plate	S115c
NEW	54-355W	SPDT	A	ON	NONE	ON	Brass/Nickel Plate	S115c
NEW	54-356W	SPDT	A	ON	OFF	ON	Brass/Nickel Plate	S115c
NEW	54-358W##	SPDT	A	(ON)	OFF	(ON)	Brass/Nickel Plate	S115c

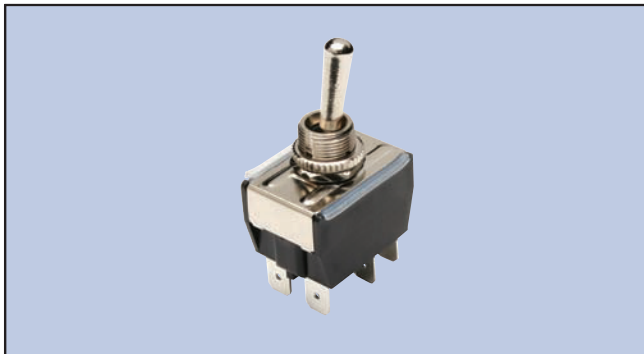
SPECIAL NOTE: ( ) = Momentary Function  
# UL for 16 Amp ONLY  
## UL for 12 Amp ONLY

# Waterproof Bat Handle Toggle

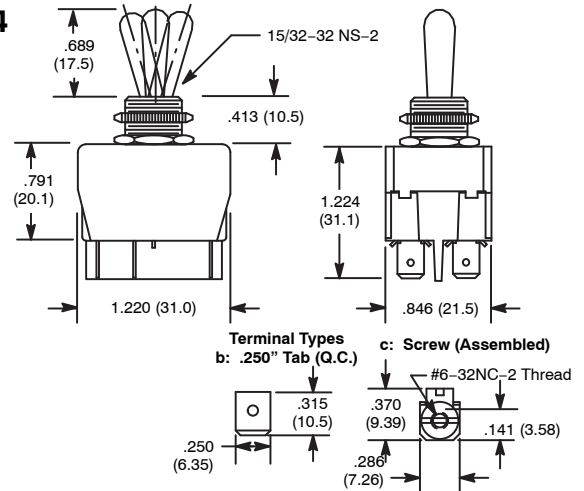


## Features

- Waterproof: IP56
- Double Pole Types
- Internal "O" Ring for Moisture and Dust Resistance
- .250" Quick Connect Terminals



## S114



## Specifications

### Current Rating:

- A: 16A 277VAC, 1 HP
- B: 20A 277VAC, 1 HP

**Insulation Resistance:** 100 Megohms (min.) at 500VDC

**Dielectric Strength:** 1500V RMS (min.)

**Temperature Rating:** +32°F to +149°F (0°C to +65°C)

**Electrical Life:** 6,000 cycles

**Mechanical Life:** 10,000 cycles at full load

**Terminal Type:** Refer to Diag No. in Table

**Mounting Hole:** .472 (12.0)

	NTE Type No.	Circuitry	Current Rating	Action			Actuator	Diag No.
NEW	54-360W	DPDT	A	ON	NONE	ON	Brass/Nickel Plate	S114b
NEW	54-361W	DPDT	A	ON	OFF	ON	Brass/Nickel Plate	S114b
NEW	54-364W	DPDT	A	(ON)	OFF	(ON)	Brass/Nickel Plate	S114b
NEW	54-366W##	DPST	B	ON	NONE	OFF	Brass/Nickel Plate	S114b
NEW	54-367W##	DPST	B	ON	NONE	OFF	Brass/Nickel Plate	S114c
NEW	54-369W	DPDT	A	ON	NONE	ON	Brass/Nickel Plate	S114c
NEW	54-370W##	DPDT	A	ON	OFF	ON	Brass/Nickel Plate	S114c
NEW	54-373W	DPDT	A	(ON)	OFF	(ON)	Brass/Nickel Plate	S114c

SPECIAL NOTE: ( ) = Momentary Function  
## UL for 12 Amp ONLY