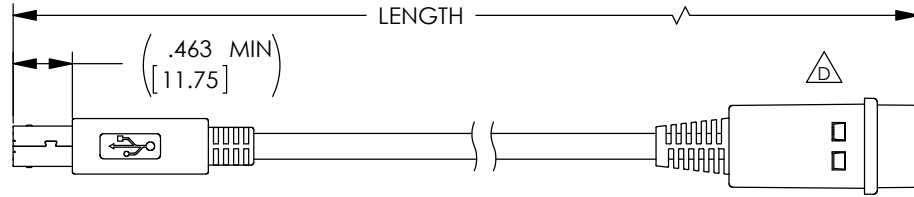


THE INFORMATION CONTAINED IN THIS DRAWING IS THE SOLE PROPERTY OF L-COM, INC.. ANY REPRODUCTION IN PART OR WHOLE WITHOUT THE WRITTEN PERMISSION OF L-COM, INC. IS PROHIBITED.

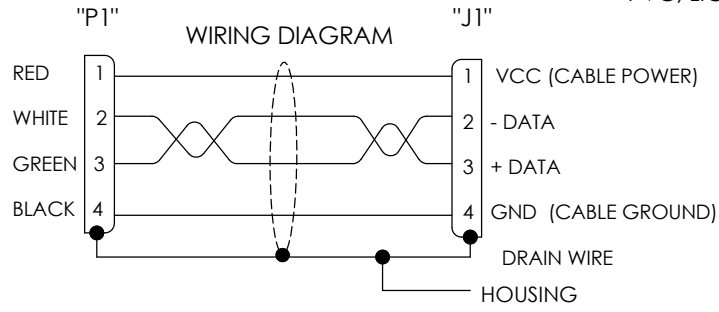
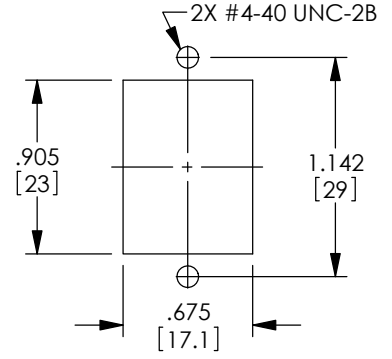
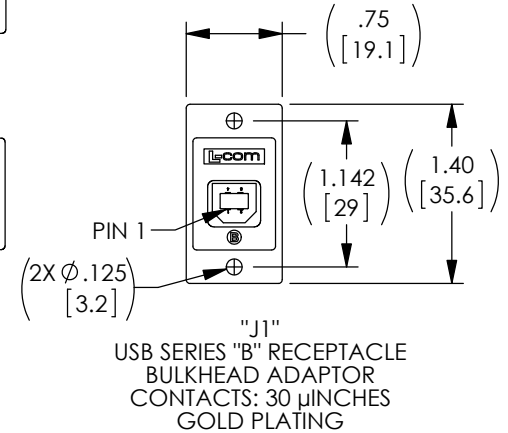
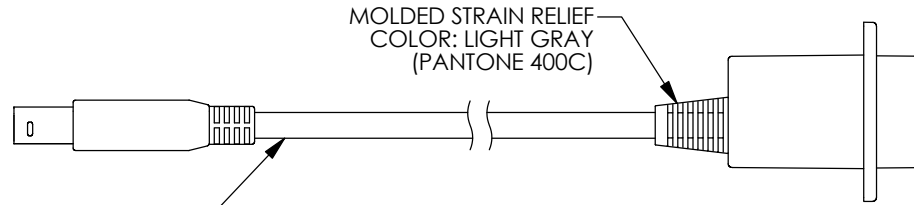
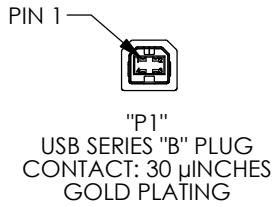
RoHS Compliant ✓

REVISIONS			
REV	DESCRIPTION	DATE	APPROVED
A	INITIAL RELEASE	11/30/10	D.GRIFFIN
B	ECN5219: CORRECTED PIN CALL-OUT IN PLUG VIEW	12/14/10	DFP
C	ECN6237: ADDED CONTACT PLATING NOTE, UPDATED FORMAT, ADDED .463 DIM.	09/18/12	DFP
D	ECN 6716: CN RELEASE ON SNAP-ON COVER	3/5/13	D.FRISIELLO

PART NUMBER	LENGTH	
	INCHES	MM
ECF504-12BBS	12.0	[304.8]
ECF504-24BBS	24.0	[609.6]
ECF504-36BBS	36.0	[914.4]
ECF504-72BBS	72.0	[1828.8]
ECF504-120BBS	120.0	[3048.0]



HOUSING: ABS, UL94V-0  
FINISH: CHROME



- NOTES:
1. CABLE ASSEMBLY SHALL HAVE 360° SHIELD TERMINATION.
  2. CABLE ASSEMBLY SHALL MEET USB 2.0 REQUIREMENTS.
  3. CABLE ASSEMBLY SHALL BE TESTED FOR CONTINUITY.
  4. CABLE ASSEMBLY SHALL BE INDIVIDUALLY PACKAGED IN ACCORDANCE WITH L-COM SPECIFICATION PS-0031.

UNLESS OTHERWISE SPECIFIED, DIMENSIONS ARE IN INCHES [mm] OVERALL CABLE LENGTH TOLERANCE: ≤12 [305] = +1 [25] / -0 >12 [305] ≤60 [1524] = +2 [51] / -0 >60 [1524] ≤120 [3048] = +4 [102] / -0 >120 [3048] ≤300 [7620] = +6 [152] / -0 >300 [7620] = +3% / -0%	APPROVALS	DATE
	DRAWN BY D. PARHAM	11/29/2010
	CHECKED BY D. CASTRO	11/29/2010
	APPROVED BY S. SMITH	11/30/2010
ALL OTHER DIMENSIONAL TOLERANCES: .X = ±.2 .XX = ±.02 .XXX = ±.005	CONFIGURATION DETAILS OF UNDIMENSIONED FEATURES MAY VARY	
PROJECTION 	COLOR VARIATIONS MAY OCCUR	

**L-com** Global Connectivity 45 BEECHWOOD DRIVE NORTH ANDOVER, MA 01845

CATEGORY: USB

PRODUCT DESCRIPTION: USB B-F PNL MNT/B-M SHLD

SIZE: A FSCM NO.: 43321 DWG. NO.: ECF504-BBS REV. D

SCALE: NONE CAD FILE: ECF504-BBS.SLDRW SHEET 1 OF 1