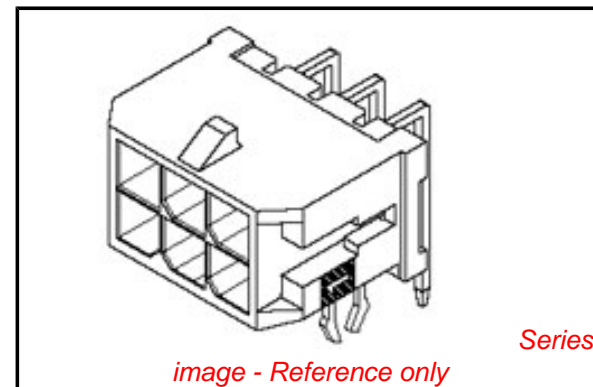


PLEASE CHECK WWW.MOLEX.COM FOR LATEST PART INFORMATION

Part Number: [43045-1000](#)
Status: **Active**
Overview: Micro-Fit 3.0™ Connectors
Description: 3.00mm Pitch Micro-Fit 3.0™ Header, Surface Mount Compatible, Dual Row, Right Angle, with Snap-in Plastic Peg PCB Lock, 10 Circuits, Tin (Sn) Plating, Glow Wire Compatible

Documents:

| | |
|--|--|
| 3D Model | Test Summary TS-43045-001 (PDF) |
| Drawing (PDF) | RoHS Certificate of Compliance (PDF) |
| Product Specification PS-43045 (PDF) | Product Literature (PDF) |



Agency Certification


| | |
|-----|-----------|
| CSA | LR19980 |
| TUV | R72081037 |
| UL | E29179 |

General

| | |
|-----------------------------|---|
| Product Family | PCB Headers |
| Series | 43045 |
| Application | Power, Wire-to-Board |
| Comments | High Temperature Square Pin Solder Type<P><P>This Molex product is manufactured from material that has the following ratings, tested by independent agencies: a) A Glow Wire Ignition Temperature (GWIT) of at least 775 deg C per IEC 60695-2-13.. b) A Glow Wire Flammability Index (GWFI) above 850 deg C per IEC 60695-2-12.and hence complies with the requirements set out in the International Standard IEC 60335-1 5th edition - household and similar electrical appliances - safety, section 30 Resistance to heat and fire. <P><P> The customers using this product must determine its suitability for use in their particular application through testing or other acceptable means as described in end-product glow-wire flammability test standard IEC 60695-2-11 and any applicable product end-use standard(s). <P> If it is determined during the customer's evaluation of suitability, that higher performance is required, please contact Molex for possible product options. |
| Overview | Micro-Fit 3.0™ Connectors |
| Product Literature Order No | 987650-5984 |
| Product Name | Micro-Fit 3.0™ |
| UPC | 800754372121 |

Physical

| | |
|--------------------------------|---------|
| Breakaway | No |
| Circuits (Loaded) | 10 |
| Circuits (maximum) | 10 |
| Color - Resin | Black |
| Durability (mating cycles max) | 30 |
| Flammability | 94V-0 |
| Glow-Wire Compliant | Yes |
| Mated Height | 10.29mm |
| Material - Metal | Brass |
| Material - Plating Mating | Tin |

| | |
|---|--|
| EU RoHS ELV and RoHS Compliant REACH SVHC Contains SVHC: No Low-Halogen Status Low-Halogen | China RoHS  |
|---|--|

Need more information on product environmental compliance?

Email productcompliance@molex.com
For a multiple part number RoHS Certificate of Compliance, [click here](#)

Please visit the [Contact Us](#) section for any non-product compliance questions.

Search Parts in this Series
43045Series

Mates With
43025

| | |
|--------------------------------|--------------------------------|
| Material - Plating Termination | Tin |
| Material - Resin | High Temperature Thermoplastic |
| Net Weight | 1.677/g |
| Number of Rows | 2 |
| Orientation | Right Angle |
| PCB Locator | Yes |
| PCB Retention | Yes |
| PCB Thickness - Recommended | 1.60mm |
| Packaging Type | Tray |
| Pitch - Mating Interface | 3.00mm |
| Plating min - Mating | 2.540µm |
| Plating min - Termination | 2.540µm |
| Polarized to PCB | Yes |
| Shrouded | Fully |
| Stackable | No |
| Surface Mount Compatible (SMC) | Yes |
| Temperature Range - Operating | -40°C to +105°C |
| Termination Interface: Style | Through Hole |

Electrical

| | |
|-------------------------------|------|
| Current - Maximum per Contact | 5A |
| Voltage - Maximum | 250V |

Solder Process Data

| | |
|--|------------------------------|
| Duration at Max. Process Temperature (seconds) | 30 |
| Lead-free Process Capability | SMC & Wave Capable (TH only) |
| Max. Cycles at Max. Process Temperature | 3 |
| Process Temperature max. C | 260 |

Material Info

Reference - Drawing Numbers

| | |
|-----------------------|--|
| Product Specification | PS-43045, RPS-43045-003, RPS-43045-004 |
| Sales Drawing | SD-43045-001 |
| Test Summary | TS-43045-001 |

This document was generated on 03/27/2013

PLEASE CHECK WWW.MOLEX.COM FOR LATEST PART INFORMATION