

LFSTPROTO Quick Start Guide

STEP 1 **Unpack the board.**
Verify package contents according to the kit Web site: www.freescale.com/sensortoolbox

Connect the accelerometer development board to the accelerometer prototype board. More information can be found on the Web site. The user has two choices for sourcing power:

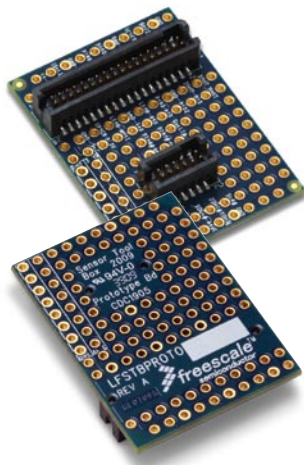
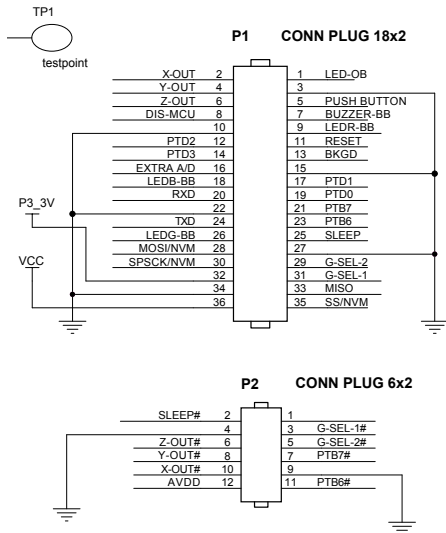
1. Solder wire for 3.3 V power to any of the through hole 3.3 V inputs, solder a wire for ground to through hole locations marked "GND" (see picture of PCB silkscreen).
2. Solder a wire for regulator input (4 to 20V DC) to through hole location Vcc, pin 36. Note that the through holes marked "3.3V" will be 100 mA sources. When supplying power this way, solder a wire for ground to through hole locations marked "GND" (see picture of PCB silkscreen).

STEP 2 **At www.freescale.com/sensortoolbox download the latest software version by clicking: [Download Software](#)**

All Sensor Toolbox kits use the same software and driver, so the install only needs to be done once. Follow the on-screen instructions to install the communication driver for the tool. Check back occasionally for software updates.

STEP 3 **Turn the accelerometer development board on using the power switch. When data collection is complete, switch the board off using the power switch.**

Explore other compatible kits at www.freescale.com/sensortoolbox



Learn more at www.freescale.com/sensortoolbox.

Freescale and the Freescale logo are trademarks or registered trademarks of Freescale Semiconductor, Inc. in the U.S. and other countries. All other product or service names are the property of their respective owners. © Freescale Semiconductor, Inc. 2010.

Doc Number: LFSTBPROTOQSG / REV 0
Agile Number: 926-78484 / REV A

