

ALL RIGHTS RESERVED. NO PORTION OF THIS PUBLICATION, WHETHER IN WHOLE OR IN PART CAN BE REPRODUCED WITHOUT THE EXPRESS WRITTEN CONSENT OF SPC TECHNOLOGY.

REVISIONS			DOC. NO. SPC-F005 * Effective: 12/21/98 * DCP No: 680					
DCP #	REV	DESCRIPTION	DRAWN	DATE	CHECKD	DATE	APPRVD	DATE
129	A	RELEASED	D.J.C.	7/7/98	JC	10/16/98	JWM	1/7/99

The SMA Technician's Adapter Kit contains both in-series and between-series adapters enabling technicians to satisfy most of their adapter requirements. The adapters are housed in a rugged, zippered, leatherette case. The case is designed to be easily carried by the technician or stored on a bookshelf. When fully opened, the case lies flat to provide greater ease of use.




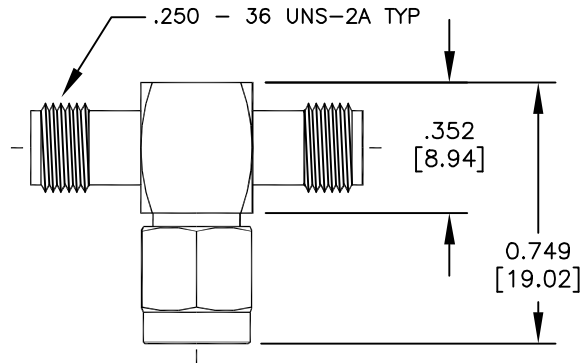
**KIT CONTAINS THE FOLLOWING ADAPTERS:**

- SMA TRIPLE MALE, FEMALE, FEMALE
- SMA TRIPLE FEMALE
- SMA MALE TO SMA FEMALE R/A
- SMA MALE TO SMA MALE
- SMA FEMALE TO SMA FEMALE
- SMA MALE TO N FEMALE
- SMA MALE TO UHF MALE
- SMA MALE TO UHF FEMALE
- SMA MALE TO BNC FEMALE
- SMA FEMALE TO TNC MALE
- SMA FEMALE TO BNC MALE
- SMA FEMALE TO N MALE
- SMA MALE TO TNC FEMALE

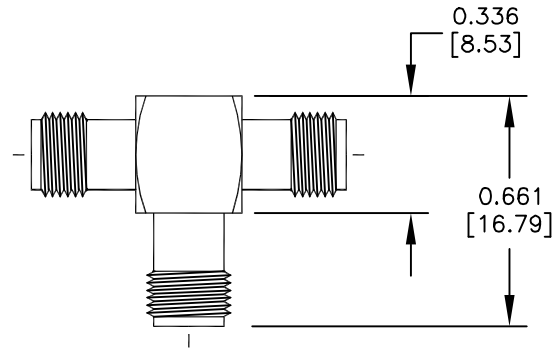
SPECIFICATIONS

BODY: BRASS  
 FINISH: NICKEL  
 IMPEDANCE: 50 OHMS

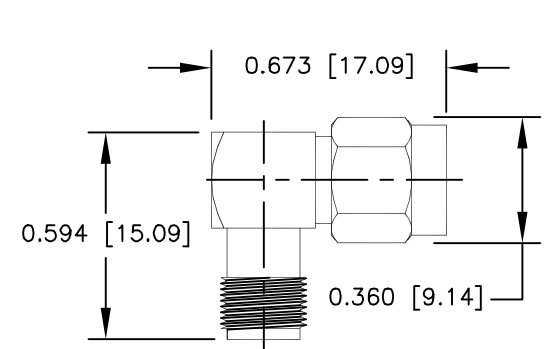
<small>DISCLAIMER:          ALL STATEMENTS AND TECHNICAL INFORMATION CONTAINED HEREIN ARE BASED UPON INFORMATION AND/OR TESTS WE BELIEVE TO BE ACCURATE AND RELIABLE. SINCE CONDITIONS OF USE ARE BEYOND OUR CONTROL, THE USER SHALL DETERMINE THE SUITABILITY OF THE PRODUCT FOR THE INTENDED USE AND ASSUME ALL RISK AND LIABILITY WHATSOEVER IN CONNECTION THEREWITH.</small>		 <b>SPC TECHNOLOGY</b>				
UNLESS OTHERWISE SPECIFIED, DIMENSIONS ARE FOR REFERENCE PURPOSES ONLY.	DRAWN BY:	DATE:	DRAWING TITLE:			
	DANIEL CAREY	7/7/98	SMA ADAPTER KIT, 13 PIECES			
	CHECKED BY:	DATE:	SIZE	DWG. NO.	ELECTRONIC FILE	REV
	JOHN COLE	10/16/98	A	8589-0864	16N2746.DWG	A
	APPROVED BY:	DATE:	SCALE: NTS		U.O.M.: INCHES [mm]	SHEET: 1 OF 3
JEFF MCVICKER	1/7/99					



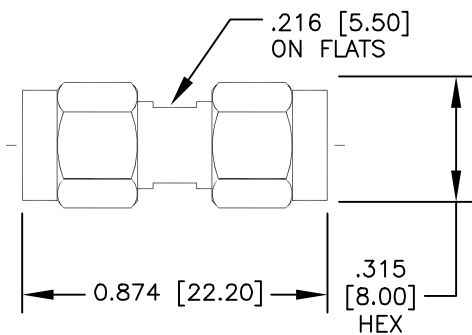
SMA TRIPLE MALE, FEMALE, FEMALE



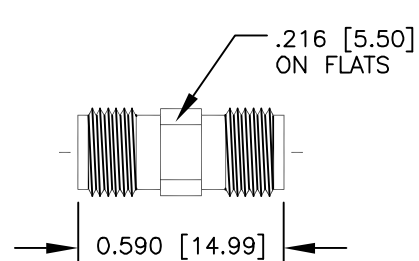
SMA TRIPLE FEMALE



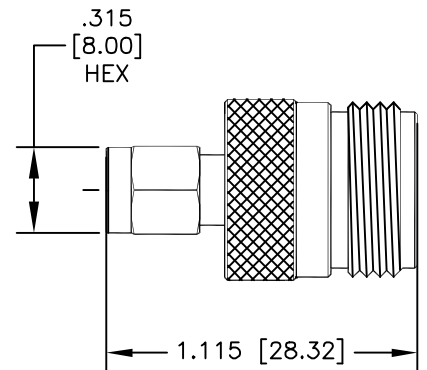
SMA MALE TO SMA FEMALE R/A



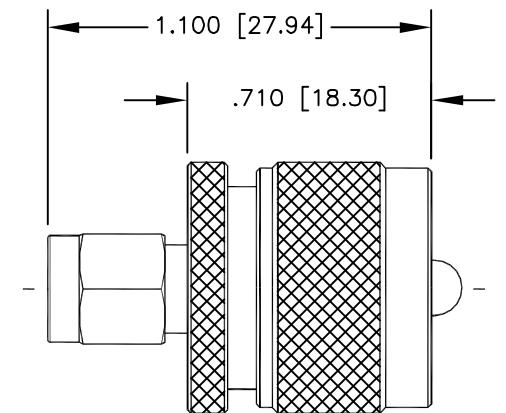
SMA MALE TO SMA MALE



SMA FEMALE TO SMA FEMALE

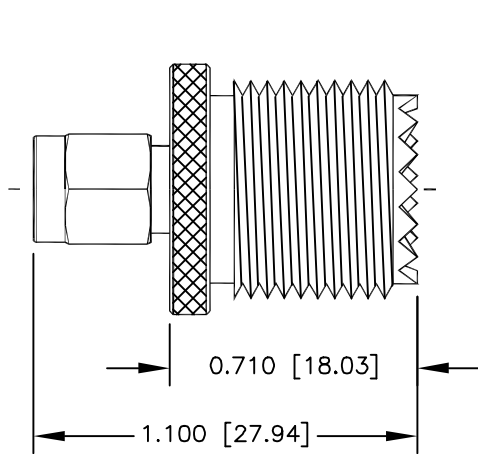


SMA MALE TO N FEMALE

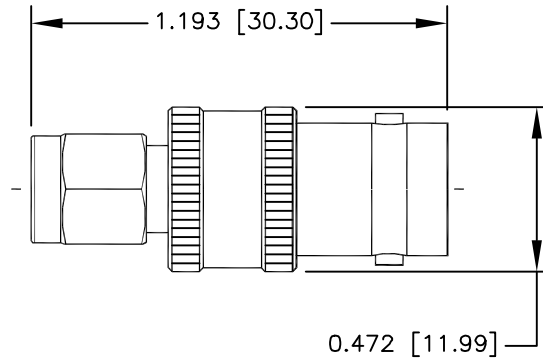


SMA MALE TO UHF MALE

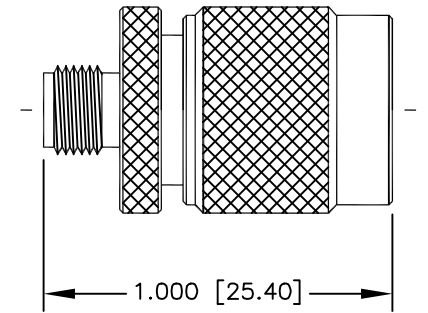
SIZE A	DWG. NO. 8589-0864	ELECTRONIC FILE 16N2746.DWG	REV A
SCALE: NTS		U.O.M.: INCHES [mm]	SHEET: 2 OF 3



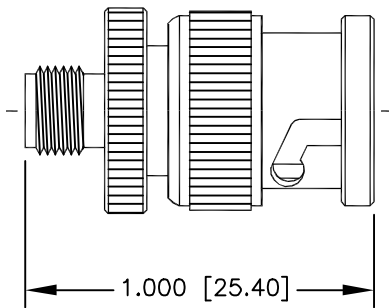
SMA MALE TO UHF FEMALE



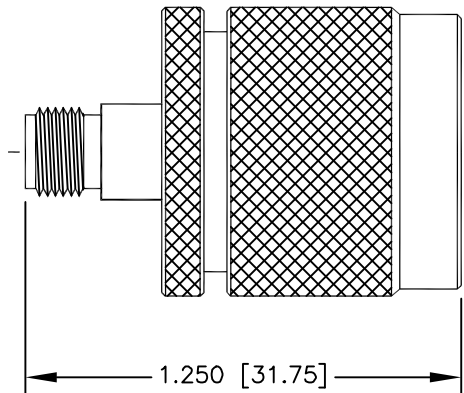
SMA MALE TO BNC FEMALE



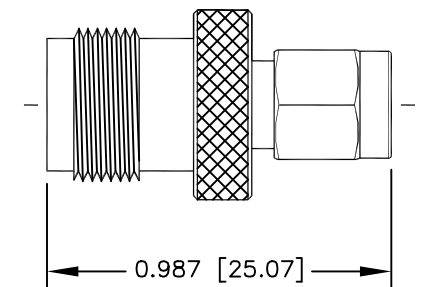
SMA FEMALE TO TNC MALE



SMA FEMALE TO BNC MALE



SMA FEMALE TO N MALE



SMA MALE TO TNC FEMALE

SIZE	DWG. NO.	ELECTRONIC FILE	REV
A	8589-0864	16N2746.DWG	A
SCALE:	NTS	U.O.M.: INCHES [mm]	SHEET: 3 OF 3