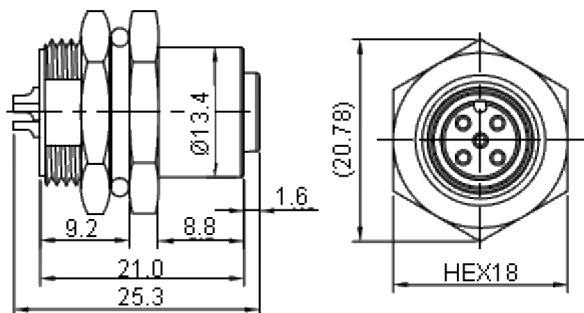




Panel, Female, Solder Type, Front Mount

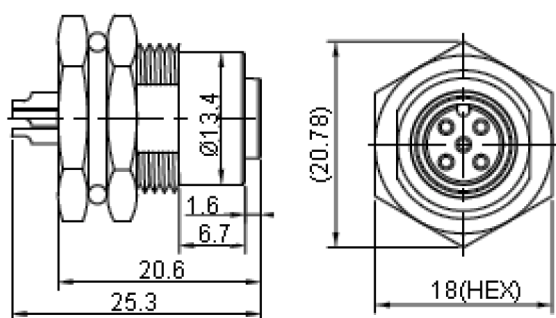


Dimensions : Millimetres

Connector Type

Current Rating	Contact	IP Rating
5A	3	IP 67 & IP 68
	4	
	5	
2A	8	

Panel, Female, Solder Type, Front Mount



Dimensions : Millimetres

Connector Type

Current Rating	Contact	IP Rating
5A	3	IP 67 & IP 68
	4	
	5	
2A	8	

Waterproof M12 Connectors

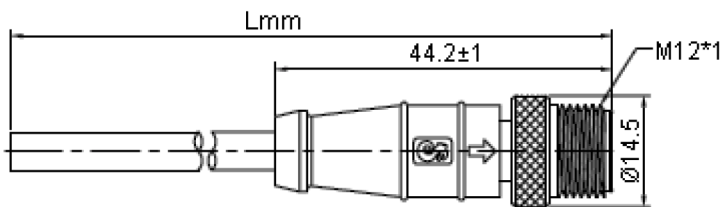


Male Straight Plug, Molding Type, PVC Cable



Connector Type

Current Rating	Contact	IP Rating
5A	3	IP 67
	4	
	5	
2A	8	



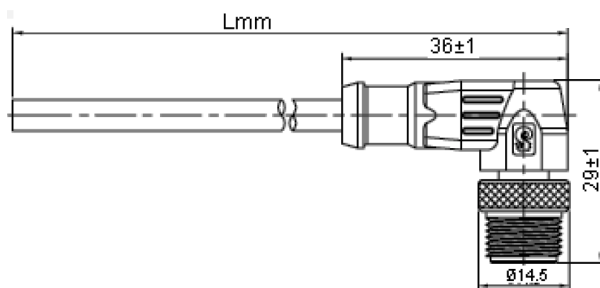
Dimensions : Millimetres

Male R/A Plug, Molding Type, PVC Cable



Connector Type

Current Rating	Contact	IP Rating
5A	3	IP 67
	4	
	5	
2A	8	



Dimensions : Millimetres



Waterproof M12 Connectors



Specifications	Standard Value
Description	Panel Mount, Molded with Cable
Current Rating	2A, 5A
Pin Configuration	3, 4, 5, 8 Contacts
Material	Contact : Copper Alloy, Gold Plated Connector Body : Nylon+GF or TPU Shield : Copper Alloy, Nickel Plated
Temperature Range	Cable : -20°C to + 80°C (PVC) : -25°C to + 90°C (TPU) Connector Body : -25°C to 90°C
IP Rating	IP67 and IP68
Contact Resistance	≤10mΩ
Insulation Resistance	≥100MΩ at DC 500V
Durability	500 cycles Min.
Breakdown Voltage	≥AC 500V/1 Minute
Corrosion	48 Hours Salt Spray Contact

Part Number Table

Description	Part Number
Socket, Panel, Rear MNT, 5A, 3 Way	2MT3000-W03300
Socket, Panel, Rear MNT, 5A, 4 Way	2MT3000-W04300
Socket, Panel, Rear MNT, 5A, 5 Way	2MT3000-W05300
Socket, Panel, Rear MNT, 5A, 8 Way	2MT3000-W08200
Socket, Panel, Front MNT, 5A, 3 Way	2MT3002-W03300
Socket, Panel, Front MNT, 5A, 4 Way	2MT3002-W04300
Socket, Panel, Front MNT, 5A, 5 Way	2MT3002-W05300
Socket, Panel, Front MNT, 5A, 8 Way	2MT3002-W08200
Cable Assy, Plug-Free, PVC, 3 Way, 1m	2MT3012-W03300
Cable Assy, Plug-Free, PVC, 4 Way, 1m	2MT3012-W04300
Cable Assy, Plug-Free, PVC, 5 Way, 1m	2MT3012-W05300
Cable Assy, Plug-Free, PVC, 8 Way, 1m	2MT3012-W08200
Cable Assy, Plug-Free, R/A, 3 Way, 1m	2MT3013-W03300
Cable Assy, Plug-Free, R/A, 4 Way, 1m	2MT3013-W04300
Cable Assy, Plug-Free, R/A, 5 Way, 1m	2MT3013-W05300
Cable Assy, Plug-Free, R/A, 8 Way, 1m	2MT3013-W08200

Important Notice : This data sheet and its contents (the "Information") belong to the members of the Premier Farnell group of companies (the "Group") or are licensed to it. No licence is granted for the use of it other than for information purposes in connection with the products to which it relates. No licence of any intellectual property rights is granted. The Information is subject to change without notice and replaces all data sheets previously supplied. The Information supplied is believed to be accurate but the Group assumes no responsibility for its accuracy or completeness, any error in or omission from it or for any use made of it. Users of this data sheet should check for themselves the Information and the suitability of the products for their purpose and not make any assumptions based on information included or omitted. Liability for loss or damage resulting from any reliance on the Information or use of it (including liability resulting from negligence or where the Group was aware of the possibility of such loss or damage arising) is excluded. This will not operate to limit or restrict the Group's liability for death or personal injury resulting from its negligence. Multicomp is the registered trademark of the Group. © Premier Farnell plc 2012.