
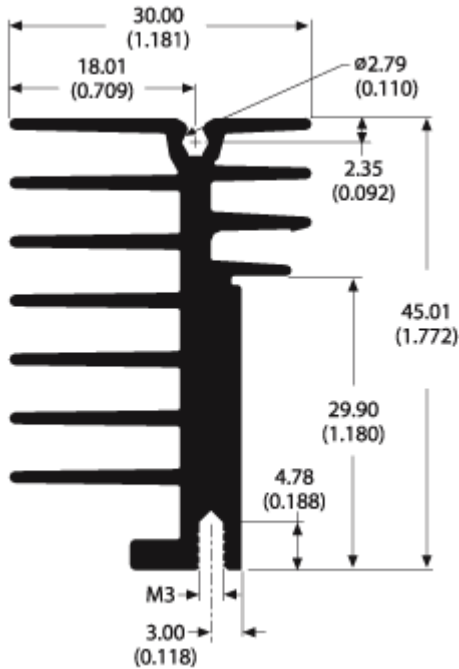


0S515

	Part Number	Thermal Resistance °C/W at 150.0mm length	Width mm	Height mm	Surface Area mm ² /mm	Weight kg/m	Part Class
	0S515	0.000	30.00	45.00	425.0	1.18	A



Non-Standard Extrusions

Aavid Thermalloy has over 10,000 extrusion profile designs on file, most with the extrusion die already available. These parts have minimum order requirements and longer lead times, but may be cost effective compared to a new design.

Customizing & Advanced Capabilities

We offer several options for those applications which require a more unique solution. Challenge us with your thermal requirements - we can design custom solutions.