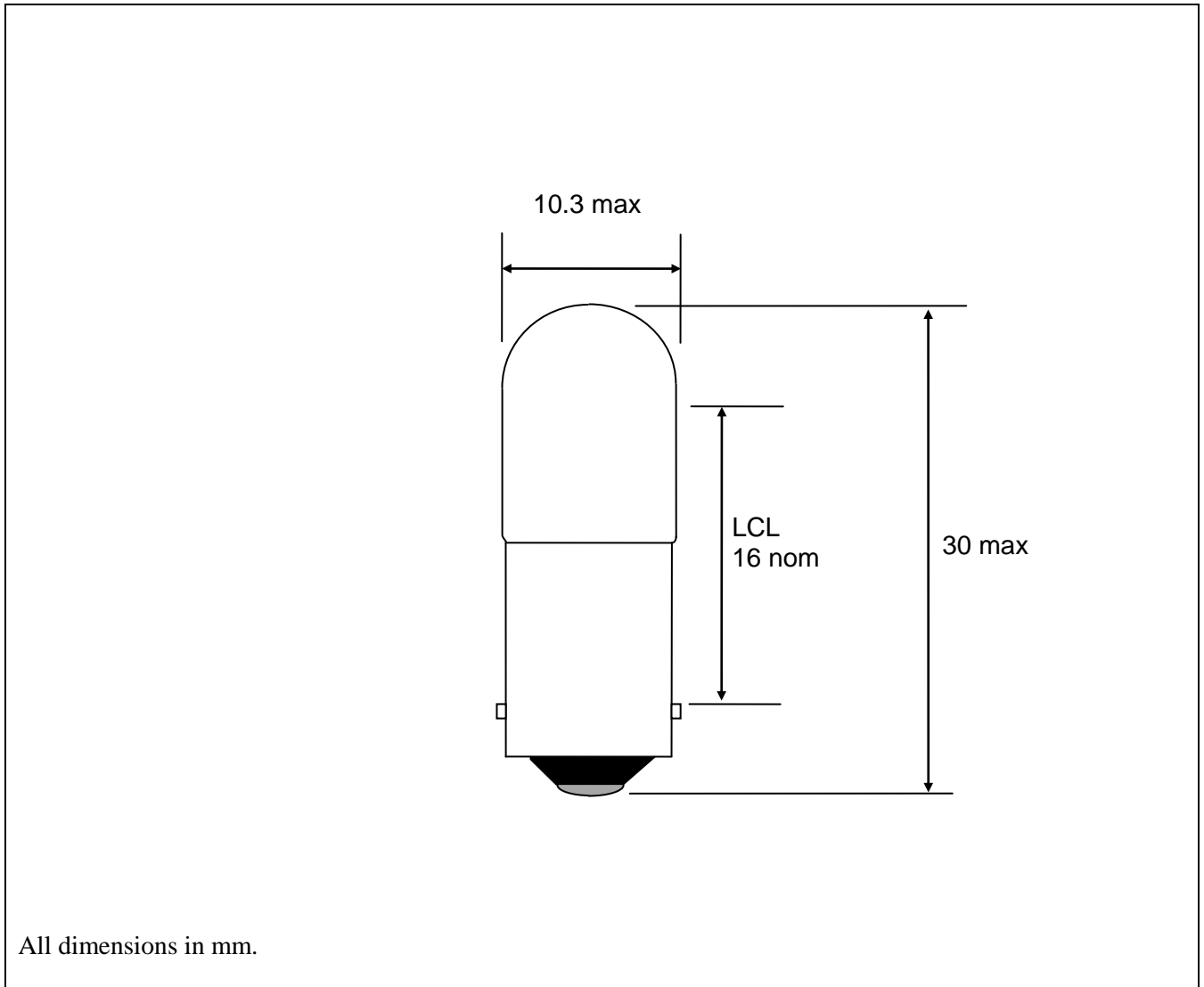


**PRODUCT
DATA SHEET**

Type	Size	Rating	Description	Part No.
Incandescent	T-3¾(10mm)	28V 40mA	Miniature Bayonet Lamp	CM1819-5



TEST VOLTS	CURRENT (mA)			LIGHT OUTPUT (Lm)			LIFE Hours
	Min.	Nom.	Max.	Min.	Nom.	Max.	
28	36	40	44	3.2	4.3	5.4	1,000

NOTES:

- 1 Filament shape C-2F
- 2 Cap marking CML1819 28V 40mA
- 3 RoHS compliant

Issue No.	Date	C.N. No.	Drawn	Tech	QA
1	13/03/06	-	BCW	Approved	