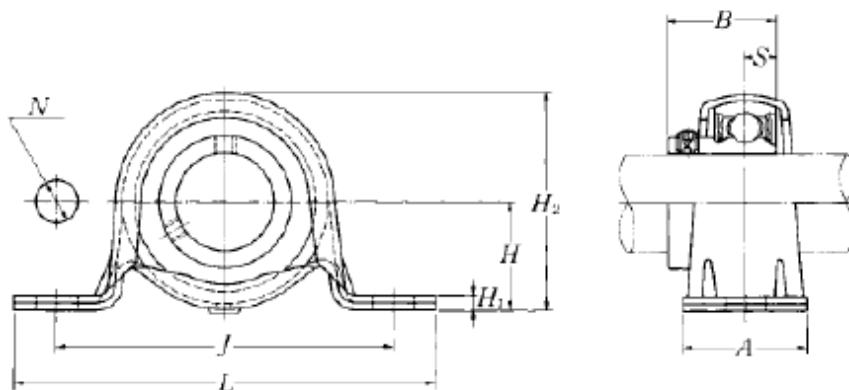


NTN Bearing Unit Information

ASPP2

NTN

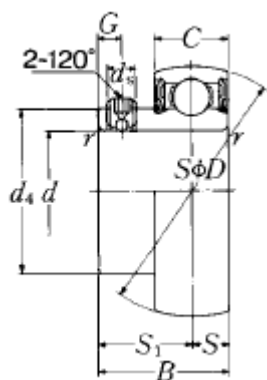
**Pillow blocks pressed steel housing
Set screw type**



Shaft dia. mm inch	Unit number	Nominal dimensions										Bolt size mm inch	Bearing number	Housing number	Mass of unit kg lb								
		H		L		J		A		N						H ₁		H ₂		B		S	
		mm	inch	mm	inch	mm	inch	mm	inch	mm	inch					mm	inch	mm	inch	mm	inch	mm	inch
17	ASPP203	22.2	86	68	25	9.5	3.2	43.8	22	6	M 8	AS203	PP203	0.1									
1 1/16	ASPP203-011	7/8	3 3/8	2 1/16	3 1/32	3/8	0.126	1 23/32	0.8661	0.236	5/16	AS203-011	PP203	0.2									

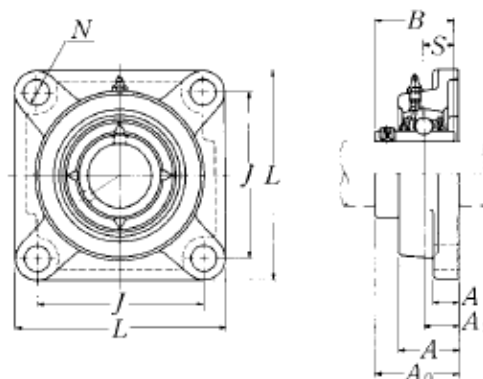
AS2

**Ball bearings
Set screw type**

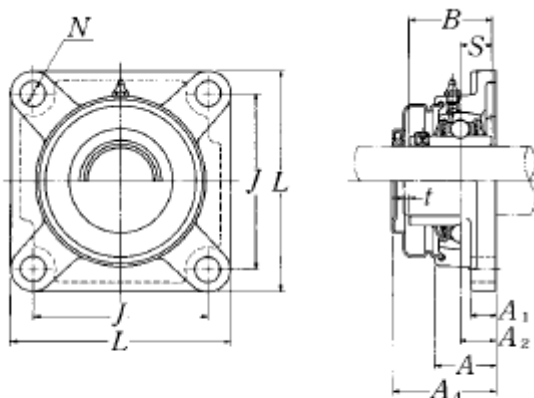


**FLAT BACK
INSERT
BEARING
USED
IN THIS
UNIT**

Square flanged units cast housing Set screw type



Shaft dia.	Unit number ¹⁾	Nominal dimensions										Bolt size	Bearing number
		mm					inch						
		L	J	A ₂	A ₁	A	N	A ₀	B	S	mm		
17	UCF203D1	86	64	15	11	25.5	12	33.3	31	12.7	M10	UC203D1	
1 1/16	UCF203-011D1	3 3/8	2 33/64	19/32	7/16	1	15/32	1 5/16	1.2205	0.500	3/8	UC203-011D1	



Pressed steel dust cover type

Open end: **S-UCF...D1**

Closed end: **SM-UCF...D1**

1) Self-aligning cover seal

NTN covered bearing units are designed so that the seal lips can follow the shaft even when it is slanted. Therefore, the covered bearing unit can achieve the rated dust-proofing performance of the cover seal even when the bearing is self-aligned to the shaft angle.

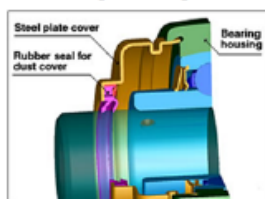


Fig.A Steel plate covered bearing unit

The seal can move up and down thanks to the clearance between the inner circumference of the cover and the outer circumference of the seal.

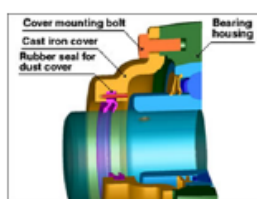


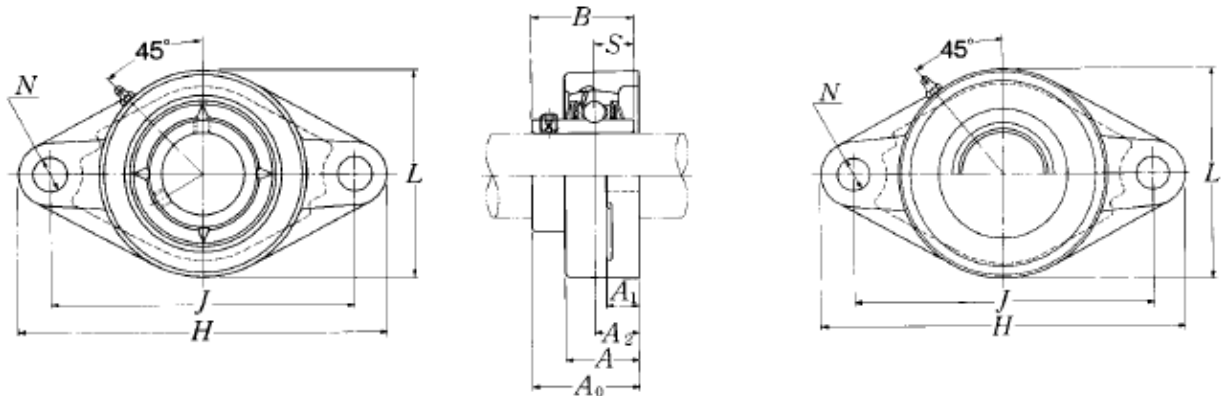
Fig.B Cast iron covered bearing unit

NTN Bearing Unit Information

UCFLU2

NTN

Rhombus flanged units cast housing
Set screw type

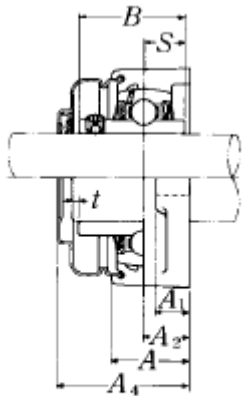


Pressed steel dust cover type

Open end: S-UCFL...D1

Closed end: SM-UCFL...D1

Shaft dia. mm inch	Unit number ¹⁾	Nominal dimensions										Bolt size mm inch
		mm					inch					
		H	J	A ₂	A ₁	A	N	L	A ₀	B ₁	S	
20	UCFLU204D1W3	113	90	19	15	29.5	11.5	61	33.3	31	12.7	M10
3/4	UCFLU204-012D1W3	4 7/16	3 35/64	3/4	19/32	1 5/32	29/64	2 13/32	1 51/64	1.720	0.673	5/16



1) Self-aligning cover seal

NTN covered bearing units are designed so that the seal lips can follow the shaft even when it is slanted. Therefore, the covered bearing unit can achieve the rated dust-proofing performance of the cover seal even when the bearing is self-aligned to the shaft angle.

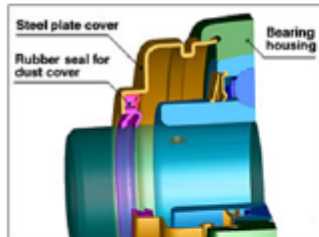


Fig.A Steel plate covered bearing unit

The seal can move up and down thanks to the clearance between the inner circumference of the cover and the outer circumference of the seal.

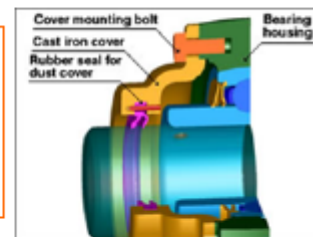


Fig.B Cast iron covered bearing unit