

Fig. 1

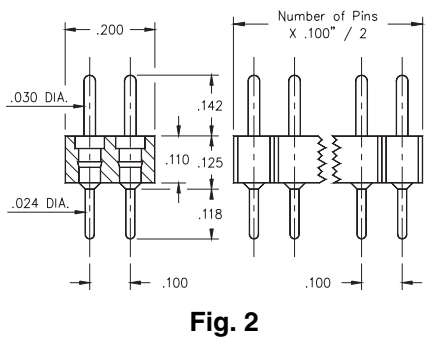


Fig. 2

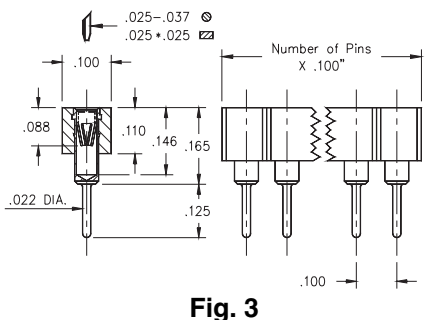


Fig. 3

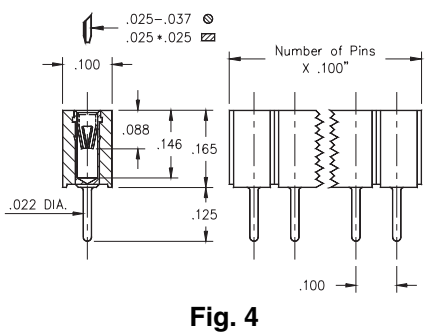


Fig. 4

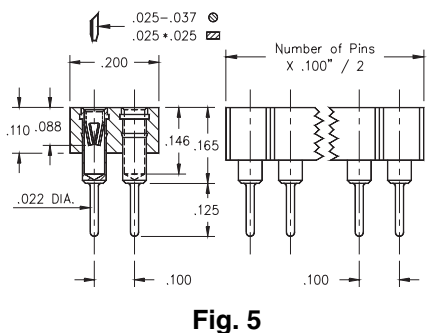


Fig. 5

- Receptacles accept .030" diameter and .025" square pins.
- Pin headers use MM# 5016 pins. (See page 173 for details)
- Low profile sockets use MM# 1303 pins. (See page 148 for details)



Ordering Information

Fig. 1	Single Row	Low Profile Pin Header
	800-XX-0 __ -10-002000	
	Specify # of pins	└───▶ 01-64
Fig. 2	Double Row	Low Profile Pin Header
	802-XX-0 __ -10-002000	
	Specify # of pins	└───▶ 02-64



XX= Plating Code
See Below

*For RoHS compliance, select ◊ plating code.
 For the gold option (XX=10) also change part number from 80X-XX-0XX-10-002000 to 80X-10-0XX-10-002100*

SPECIFY PLATING CODE XX=	10 ◊	90	40 ◊	
Pin Plating	10μ" Au	200μ" Sn/Pb	200μ" Sn	

Fig. 3	Single Row	Low Profile Socket (short insulator)
	801-XX-0 __ -10-002000	
	Specify # of pins	└───▶ 01-64
Fig. 4	Single Row	Low Profile Socket (long insulator)
	801-XX-0 __ -10-012000	
	Specify # of pins	└───▶ 01-36
Fig. 5	Double Row	Low Profile Socket
	803-XX-0 __ -10-002000	
	Specify # of pins	└───▶ 02-72



XX= Plating Code
See Below

*For RoHS compliance, select ◊ plating code.
 For the all gold option (XX=13) also change part number from 80X-XX-0XX-10-0X2000 to 80X-13-0XX-10-0X2100*

SPECIFY PLATING CODE XX=	13 ◊	93	99	43 ◊	44 ◊
Sleeve (Pin)	10μ" Au	200μ" Sn/Pb	200μ" Sn/Pb	200μ" Sn	200μ" Sn
Contact (Clip)	30μ" Au	30μ" Au	200μ" Sn/Pb	30μ" Au	200μ" Sn