

Stamped contacts Crimp male contacts diameter 1,6 mm for wire gauge AWG 16 - 14 silver plated

Part No. VN01 016 0005 1

Series Contacts

Subseries Contact Stamped contacts



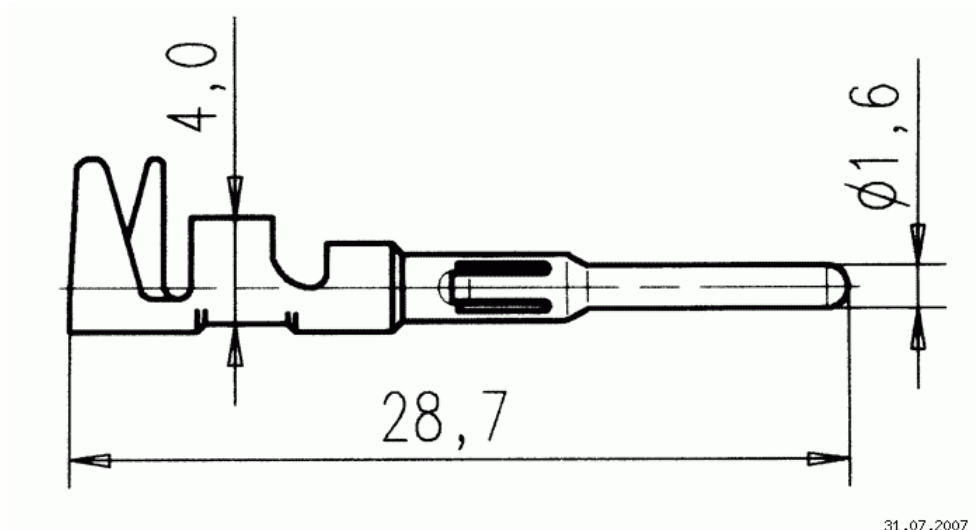
COMMON CHARACTERISTICS		
Contact diameter		1,6 mm
Insulation diameter		2,5 - 3,5 mm
Wire gauge from		1,5
Wire gauge to		2,5
Wire gauge (AWG) from		16
Wire gauge (AWG) to		14
Packaging / supplied as		Single contact
No. of pieces		100
Sex of Contact		Pin
Type of contact		Stamped/rolled crimp contact
ELECTRICAL CHARACTERISTICS		
Contact resistance	DIN EN 60512-2-1, Test 2a / IEC 60512-2-1, Test 2a	< 5 m

Stamped contacts Crimp male contacts diameter 1,6 mm for wire gauge AWG 16 - 14 silver plated

Part No. VN01 016 0005 1

Series Contacts

Subseries Contact Stamped contacts



Drawing Dimensions in mm (Inch)

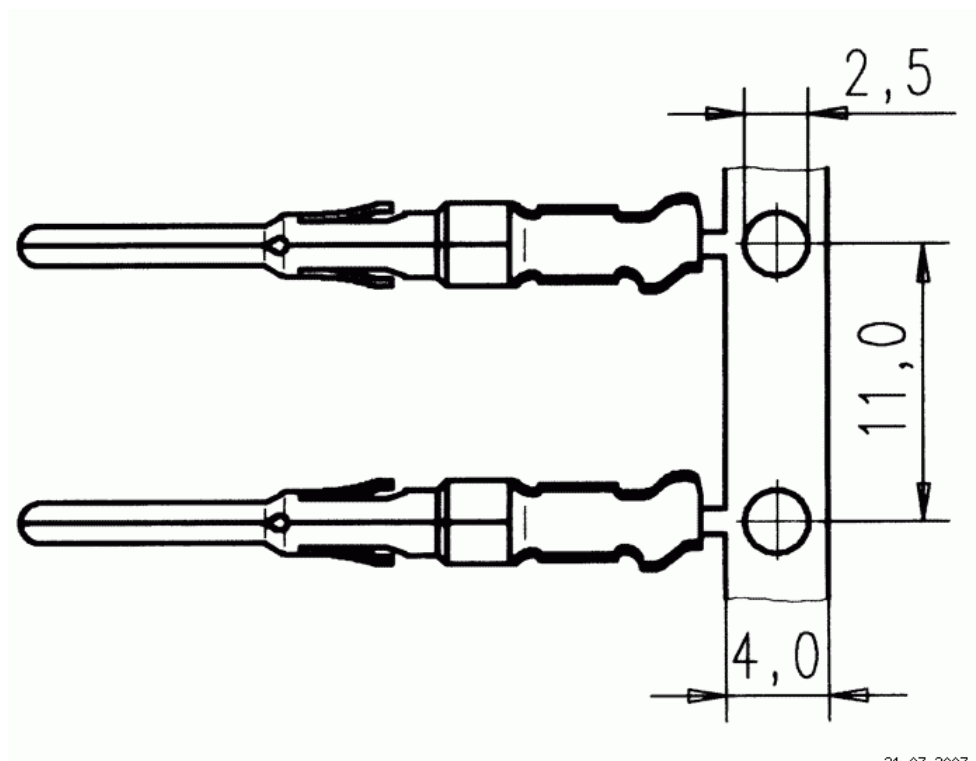
31.07.2007

Stamped contacts Crimp male contacts diameter 1,6 mm for wire gauge AWG 16 - 14 silver plated

Part No. VN01 016 0005 1

Series Contacts

Subseries Contact Stamped contacts



Panel cutout

31.07.2007