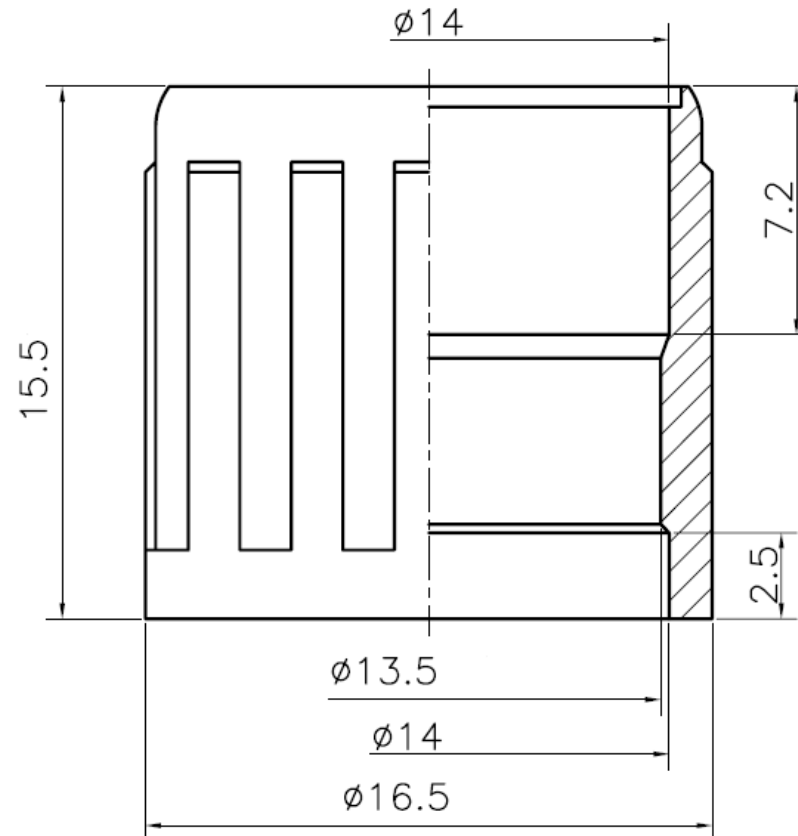




DESCRIPTION: BNC HOOD BLACK  
 MODEL NUMBER: 25-7960BK  
 APPLICATION: BNC HOOD  
 CRIMP TOOL: N/A  
 IMPEDANCE: N/A  
 FREQUENCY RANGE: N/A  
 MATERIAL: PVC---BLACK  
 RoHS COMPLIANCE: YES  
 TECHNICAL DETAIL: N/A



		<b>AIM-Cambridge</b>	
	<b>RoHS</b> 2002/95/EC	Title: <b>BNC HOOD BLACK</b>	
<small>This PROPRIETARY Document is property of Emerson Network Power, Connectivity Solutions. It is confidential in nature, non-transferable, and issued with the clear understanding that it is not traced or copied without permission and is replaceable upon demand.</small>	<small>UNLESS OTHERWISE SPECIFIED UNITS: METRIC</small> .XX ±.51 .XXX ±.127 ANGLES ±2°	Model No. <b>25-7960BK</b>	
<small>INTERPRET DRAWING IN ACCORDANCE WITH ASME Y14.5-2009.</small>	Size <b>A</b>	DO NOT SCALE DRAWING	Date: <b>8/15/2013</b>
			Sheet 1 of 1