

**PLEASE CHECK WWW.MOLEX.COM FOR LATEST PART INFORMATION**

**Part Number:** [90075-0141](#)  
**Status:** **Active**  
**Overview:** [Modular Plugs - Jacks](#)  
**Description:** Modular Plug, Short Body, 8/8

**Documents:**

[3D Model](#) [Application Specification AS-90075 \(PDF\)](#)  
[Drawing \(PDF\)](#) [RoHS Certificate of Compliance \(PDF\)](#)  
[Product Specification PS-90075 \(PDF\)](#)

**Agency Certification**

UL E107635

**General**

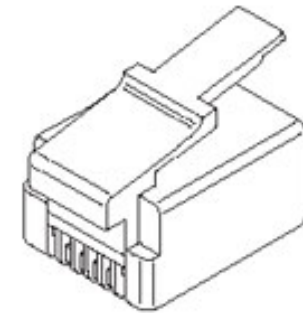
Product Family Modular Jacks/Plugs  
 Series [90075](#)  
 Component Type Wire Plug  
 Magnetic No  
 Overview [Modular Plugs - Jacks](#)  
 Performance Category 3  
 Power over Ethernet (PoE) N/A  
 Product Name RJ45  
 UPC 800753539198

**Physical**

Boot Color N/A  
 Color - Resin Clear  
 Durability (mating cycles max) 500  
 Flammability 94V-0  
 Inverted / Top Latch N/A  
 Jack Height N/A  
 Lightpipes/LEDs None  
 Material - Metal Phosphor Bronze  
 Material - Plating Mating Gold  
 Material - Plating Termination Tin  
 Material - Resin Polycarbonate  
 Net Weight 1.031/g  
 Orientation N/A  
 PCB Retention None  
 Packaging Type Bag  
 Pitch - Mating Interface 1.02mm  
 Pitch - Termination Interface 1.02mm  
 Plating min - Mating 1.270µm  
 Plating min - Termination 1.270µm  
 Ports 1  
 Positions / Loaded Contacts 8/8  
 Surface Mount Compatible (SMC) No  
 Temperature Range - Operating -40°C to +60°C  
 Termination Interface: Style N/A  
 Waterproof / Dustproof No  
 Wire/Cable Type Flat Oval

**Electrical**

Current - Maximum per Contact 1.5A  
 Grounding to Panel N/A  
 Shielded No



Series

image - Reference only

**EU RoHS**

**ELV and RoHS  
Compliant**

**REACH SVHC**

**Contains SVHC: No  
Low-Halogen Status  
Low-Halogen**

**China RoHS**



**Need more information on product  
environmental compliance?**

Email [productcompliance@molex.com](mailto:productcompliance@molex.com)  
 For a multiple part number RoHS Certificate of  
 Compliance, [click here](#)

Please visit the [Contact Us](#) section for any  
 non-product compliance questions.

**Search Parts in this Series**

[90075Series](#)

**Mates With**

[FCC 68 Jacks...](#)

**Application Tooling | FAQ**

*Tooling specifications and manuals are  
 found by selecting the products below.  
 Crimp Height Specifications are then  
 contained in the Application Tooling  
 Specification document.*

**Global**

Description	Product #
IDT - Manual Press	<a href="#">0011201274</a>
Parallel Action Handtool for Modular Plug, FCC 68, 8/8 Circuit, Short Body	<a href="#">0690081124</a>
Arbor Press Fixture for Modular Plug, FCC 68, Short Body, 8/8 Circuit	<a href="#">0690200140</a>

Voltage - Maximum

125V DC

**Material Info**

**Reference - Drawing Numbers**

Application Specification

AS-90075

Product Specification

PS-90075

Sales Drawing

SDA-90075

This document was generated on 07/24/2013

**PLEASE CHECK [WWW.MOLEX.COM](http://WWW.MOLEX.COM) FOR LATEST PART INFORMATION**