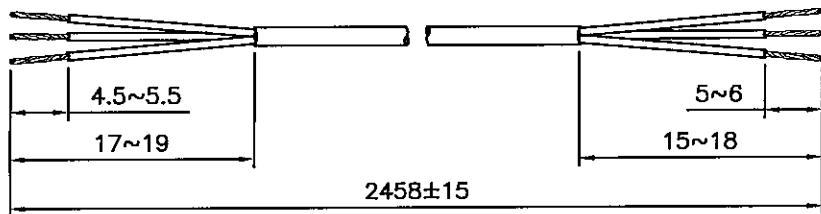
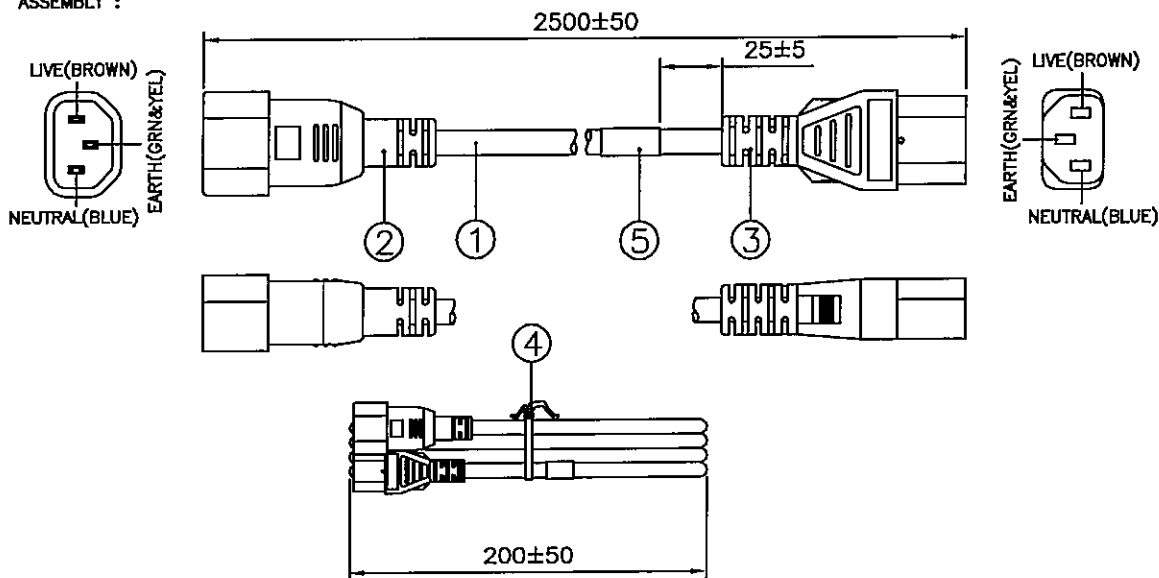


DRAWING NUMBER: 1119706
 REVISION: A

CABLE CUTTING
 CABLE SOURCE :
 1. BAO HING(SHENZHEN).



ASSEMBLY :



Notes :

- ALL DIMENSIONS IN mm.
- PLUG AND CONNECTOR MARKING : REFER TO MARKING DRAWING NO. : VC-0925 AND VC-0926 RESPECTIVELY.
- PLUG AND CONNECTOR DETAILS : REFER TO PRODUCT DRAWING NO. : P-0314 AND C-0105 RESPECTIVELY.
- LABEL DETAILS: REFER TO LABEL DWG. NO.: VL-0356.
- CARTON BOX MUST HAVE A LABEL/STAMP SAYING : " THIS PACKAGE CONTAINS CORDS HAVING GROUNDING CONDUCTOR WITH GREEN/YELLOW COLOUR INSULATOR, GROUNDED CONDUCTOR WITH BLUE COLOUR INSULATOR AND LIVE CONDUCTOR WITH BROWN COLOUR INSULATOR ".
- THIS PART CAN BE MANUFACTURED AT ANY LOCATION WHICH HAS SAFETY APPROVAL.
- THIS CORDSET SHALL COMPLY WITH CHINA RoHS.

| REV. | ECR REF. NO. | DESCRIPTION | DATE |
|------|--------------|-------------------------------|----------|
| A | - | RELEASE FOR PRODUCTION W.E.F. | 27/04/13 |

| | | | |
|---|-------------------------------------|------------|--------|
| 5 | PRINTED LABEL | VL-0356 | 1 |
| 4 | 8" PE TIE BLK | 6310062 | 1 |
| 3 | IP40G NL792B BLK | 4100017 | - |
| | MOLDED CONNECTOR V1625BS (10A 250V) | V1625BS-ST | 1 |
| 2 | IP40G NL792B BLK | 4100017 | - |
| | MOLDED PLUG VAC14LS (10A 250V) | VAC14LS-BK | 1 |
| 1 | H05VV-F 3X1.50+SJT 14/3 75°C BBGY | | |
| | BLK LF (EURO+CCC+IEC-J+UL/CSA) | 1220041 | 2.458M |

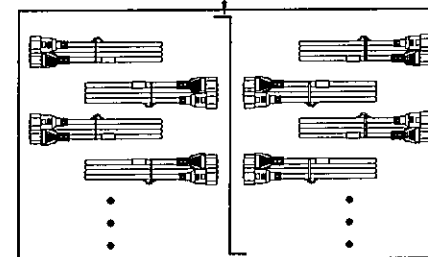
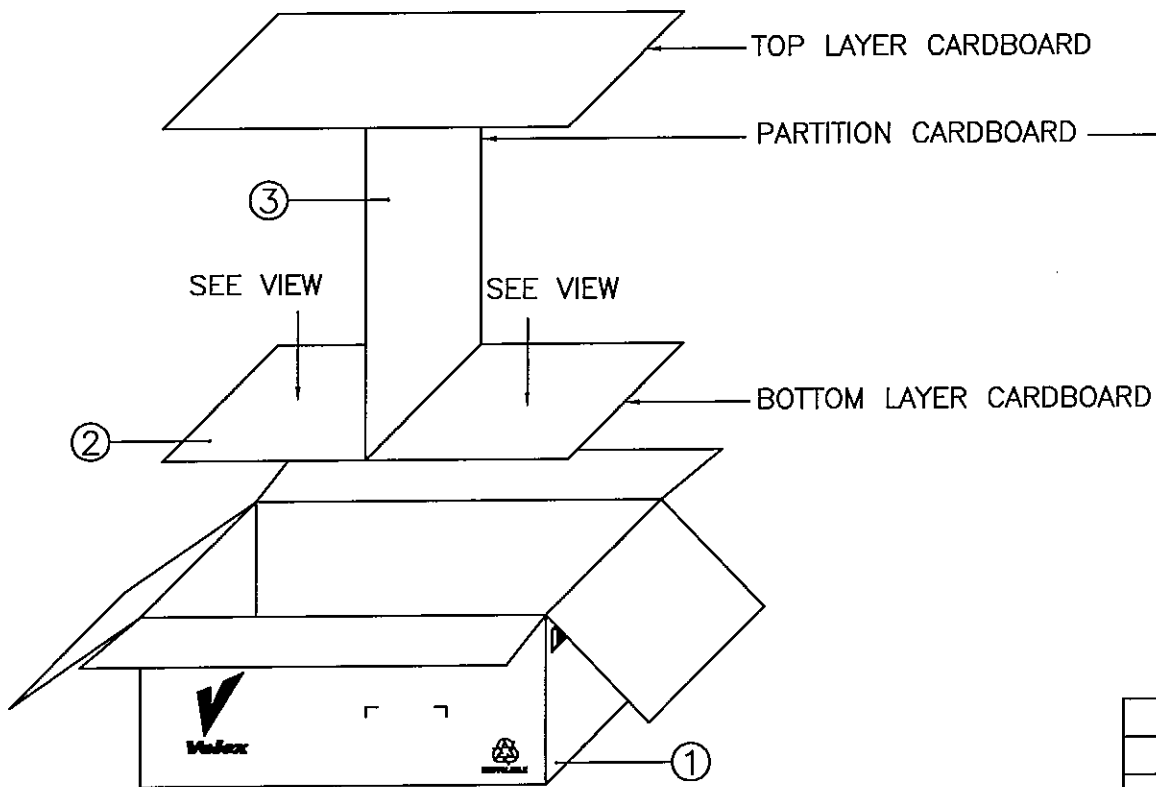
| S/N | DESCRIPTION | ITEM NUMBER | QTY |
|--|-----------------|-----------------------|-------------------------|
| TITLE : EUROPEAN+CHINESE+NORTH-AMERICAN JUMPER CORDSET (CS-LF0001) | | PAGE : 1/2 | |
| CUSTOMER : VNA/VOLEX INC | | HG04-153-13 | |
| CUSTOMER PART NUMBER : 2174H | | DWG. TYPE | |
| F/G CODE : 2174H | | SPEC NO.: 132416/2 | V-SPEC |
| SALES : <i>Barry</i> | QA : <i>Ben</i> | ENGRG : <i>Li Yan</i> | CHECKED BY : <i>Hui</i> |
| DATE : 2/5/13 | DATE : 28/04/13 | DATE : 28/4/13 | DATE : 27/04/13 |
| | | | Volex |

DRAWING NUMBER :

1119706

PACKAGING INSTRUCTION

1. 2 COMPARTMENTS PER CARTON, 20 PCS PER COMPARTMENT.
2. ALL CORDSETS LAYOUT AS DETAIL.
3. PACKAGING : 40 PCS PER CARTON.



DETAIL VIEW

| 3 | 415X245MM CARTON PAPER | 901023 | 0.025 |
|-----|---------------------------|-------------|-------|
| 2 | CARTON PAPER 550X305MM | 901024 | 0.05 |
| 1 | LONG CARTON 560X330X250MM | 901011 | 0.025 |
| S/N | DESCRIPTION | ITEM NUMBER | QTY |

| | | |
|----------|--------|----------------------------|
| REVISION | A | TITLE : PACKAGING SPEC. |
| PAGE | 2/2 | |
| SCALE | N.T.S. | |

REFERENCE :
DESCRIPTION : CARTON BOX

Volex

NOTE :

1.) ALL DIMENSIONS IN mm.