

## 7/8"-Splitters/T-Connectors

0906 UTP 301

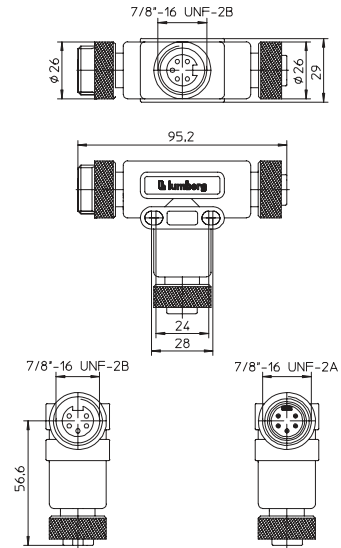


**1 x 7/8" male and 2 x 7/8" Female**

Splitter/T-connector, with one 7/8" female, one 7/8" male, and one 7/8" female connectors, 5-poles.

– especially suitable for DeviceNet modules with 7/8" bus connection –

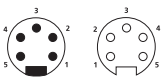
0906 UTP 301



### Pin Assignments

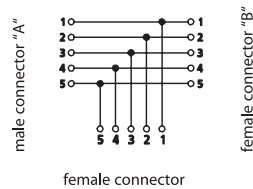
#### Face Views

7/8" - 5 poles



- 1 = drain
- 2 = + 24 V
- 3 = GND (0 V)
- 4 = CAN\_H
- 5 = CAN\_L

#### Wiring Diagrams





# Be Certain with Belden

## 7/8"-Splitters/T-Connectors

0906 UTP 301

### Technical Data

#### Environmental

Degree of protection IP 67 / NEMA 6P  
 Operating temperature range -25°C (-13°F) / +90°C (+194°F)

#### Mechanical

Housing / Molded body TPU  
 Insert TPU  
 Contact CuZn, pre-nickel and 0.8 microns gold-plated  
 Coupling nut Aluminum, black anodized

#### Electrical

Contact resistance  $\leq 5 \text{ m}\Omega$   
 Nominal current at 20°C Trunk: 8 A  
 Drop: 4 A  
 Nominal voltage 300 V  
 Insulation resistance  $> 10^9 \Omega$   
 Pollution degree 3

Part Number	Pins	Characteristics
0906 UTP 301	5	