

7/8"-Splitters/T-Connectors / Power Tap

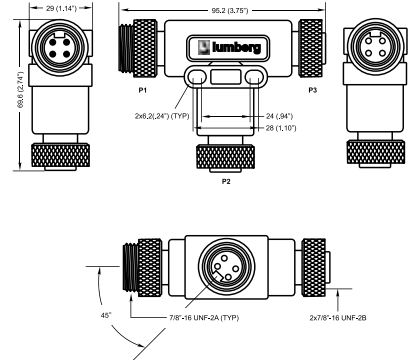
0906 UTP 312



7/8" Female to 1x7/8" Male and Female

Splitter/T-connector, with one 7/8" female, one 7/8" male and one 7/8" female connectors, 4-poles.

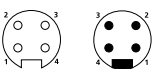
0906 UTP 301



Pin Assignments

Face Views

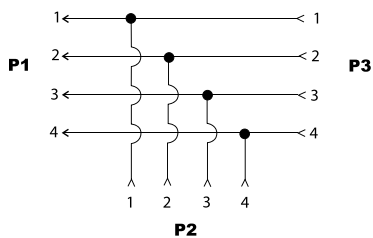
7/8 - 4 poles



P 2/3

P 1

Wiring Diagram





7/8"-Splitters/T-Connectors / Power Tap
0906 UTP 312

Technical Data

Environmental

Degree of protection IP 67 / NEMA 6P
Operating temperature range -40°C (-40°F) / +90°C (+194°F)

Mechanical

Housing / Molded body TPU, yellow
Insert TPU, yellow
Contact CuZn, pre-nickel and gold-plated acc. to DeviceNet specification
Coupling nut Aluminum, black anodized

Electrical

Nominal current 8 A
Nominal voltage 600 V

Part Number	Pins	Characteristics
0906 UTP 312	4	