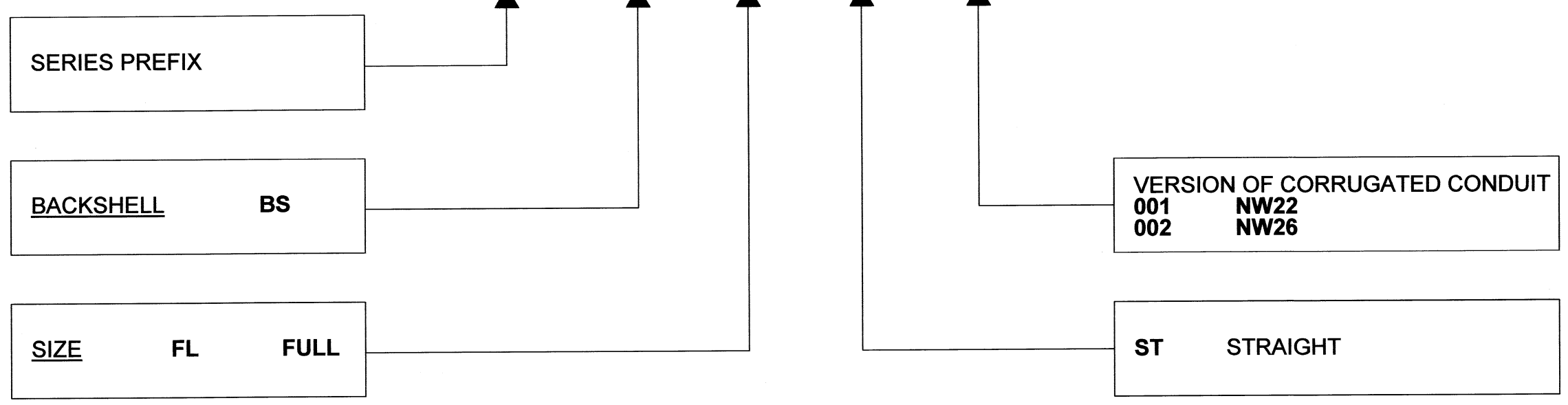


7 6 5 4 3 2 1

SRK - BS - FL - ST - 001

REV B SRK-BS-FL-ST-***

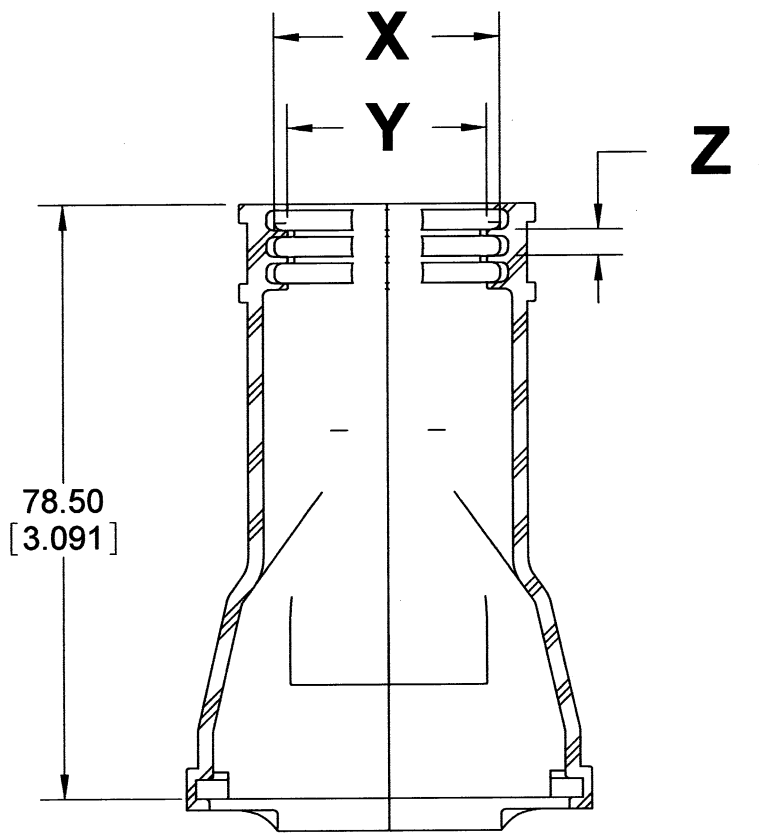
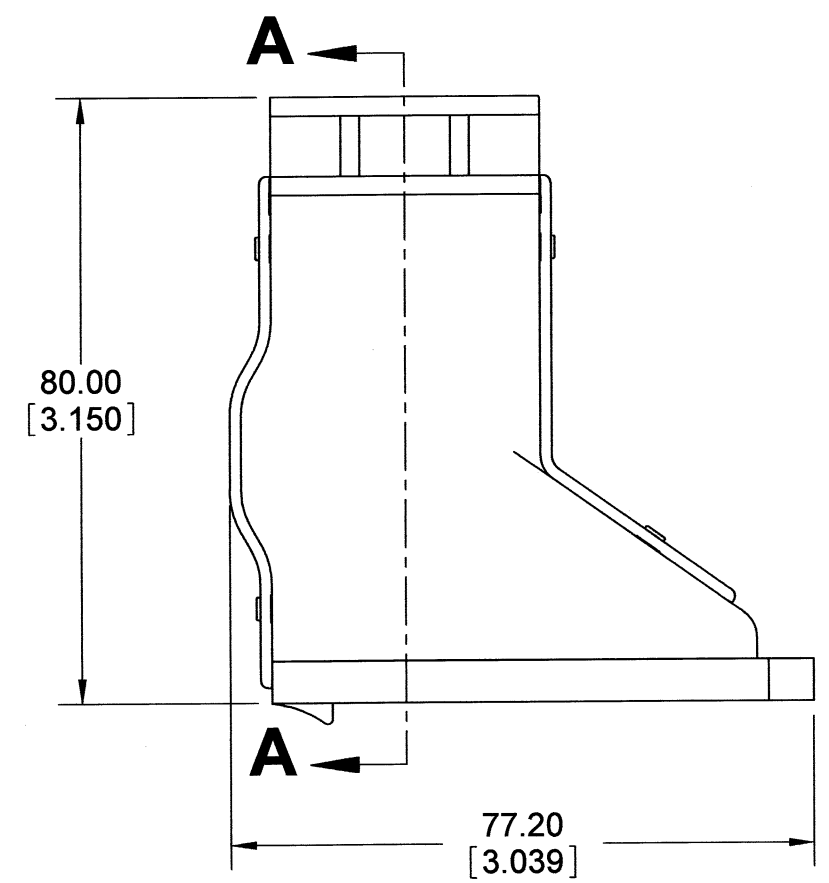
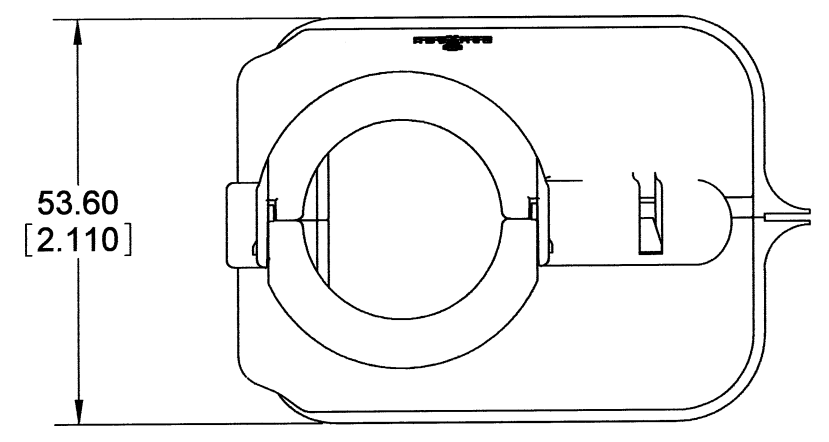
REVISIONS			
SYM	DESCRIPTION	DATE	APPROVED
A	NEW RELEASE PER E.O. P20387	12-1-09	R.D.R.
B	REVISED AND REDRAWN PER E.O. P20600	8-31-10	RDR



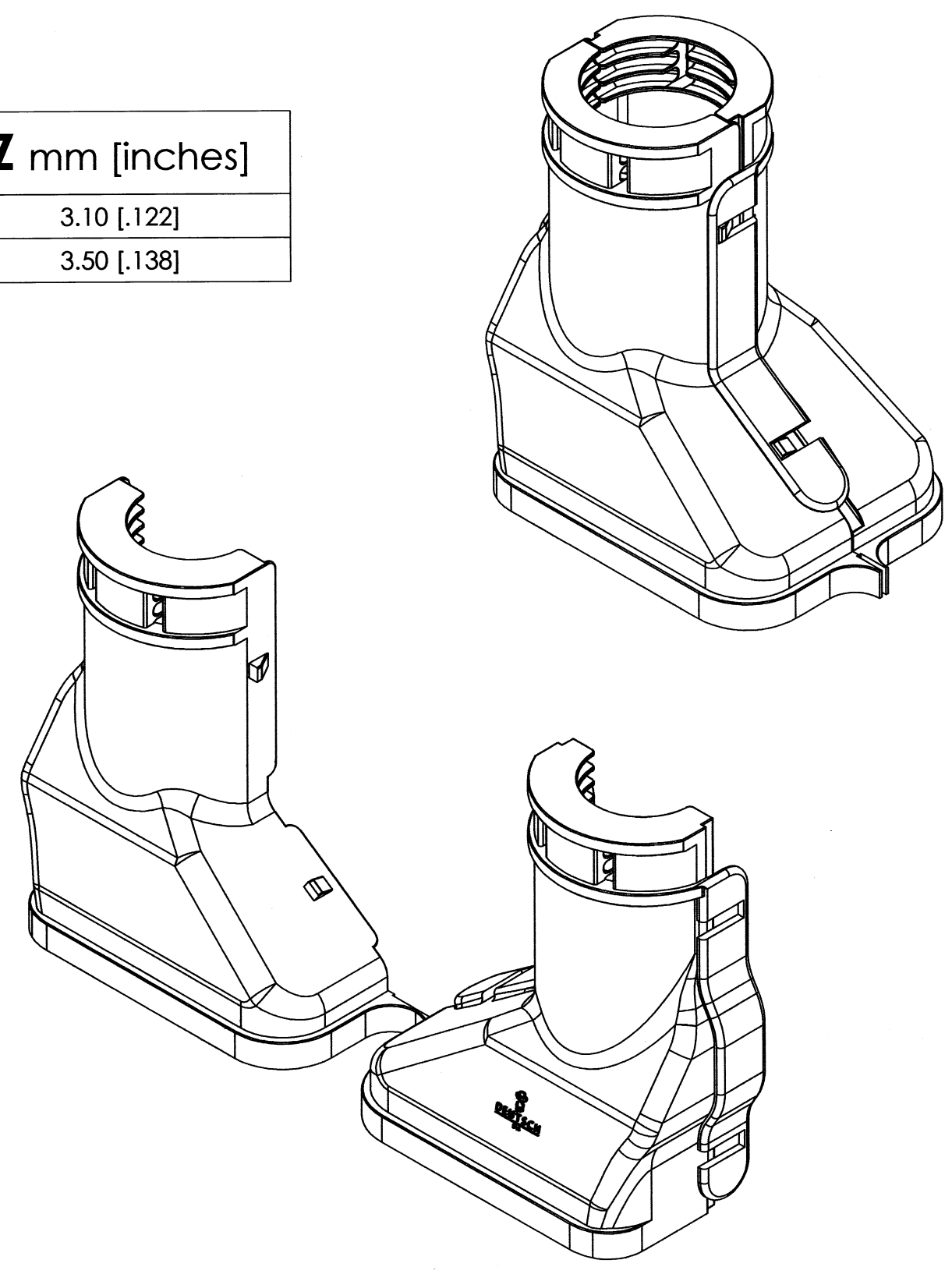
CONVOLUTE REQUIREMENTS:

RATED 125°C
 NW22
 OUTER Ø=25.40 [1.000]
 INNER Ø=21.30 [.839]
 PITCH=3.10 [.122]
 NW26
 OUTER Ø=31.20 [1.228]
 INNER Ø=25.80 [1.016]
 PITCH=3.40 [.134]

VERSION OF CONDUIT	X mm [inches]	Y mm [inches]	Z mm [inches]
001	33.00 [1.299]	21.50 [.846]	3.10 [.122]
002	32.00 [1.260]	26.40 [1.039]	3.50 [.138]



SECTION A-A



- 4. MATERIAL: PLASTIC; COLOR: BLACK.
- 3. THIS PART SNAPS ONTO SRK02-FL+*** AND SRK06-FL+***
 *= KEYS; *** = SEE 37322C-00013-01 FOR ARRANGEMENTS.
- 2. DIMENSIONAL TOLERANCE: ±.64 [.025].
- 1. ALL DIMENSIONS ARE IN MILLIMETERS [INCHES].

NOTES: UNLESS OTHERWISE SPECIFIED

SIGNATURE & DATE	
DR	JAIME APOSTOL 30AUG2010
CHK	D. M... 8/31/10
PE	D. M... 8/31/10
APPD	P. ... 8/31/10
SCALE	NONE
WT	32.20 g

BACKSHELL STRAIGHT
 FULL SIZE (FL)
 SRK SERIES

EP 201 MATL CODE 89
 3850 INDUSTRIAL AVE.
 HEMET, CA 92545
 DEUTSCH
 INDUSTRIAL

C SRK-BS-FL-ST-***
 DWG SIZE CODE 11139 SHEET 1 OF 1

7 6 5 4 3 2 1