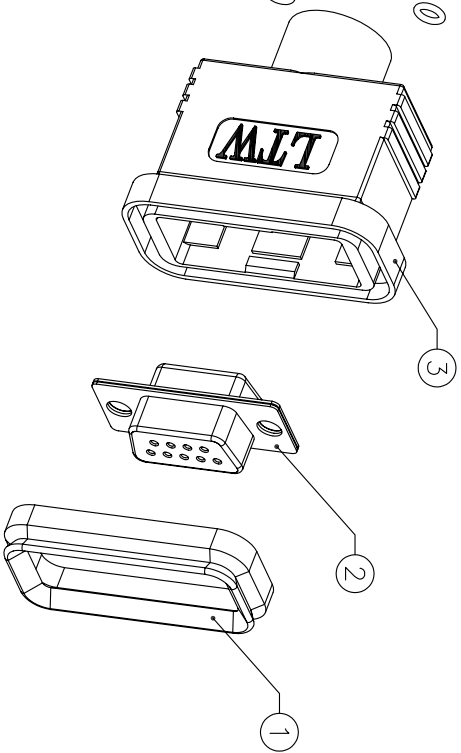
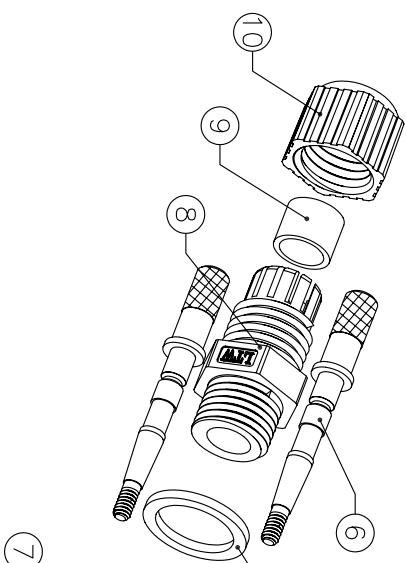
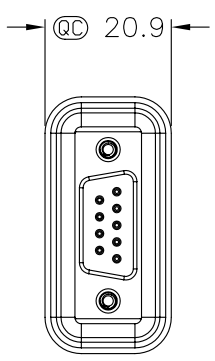
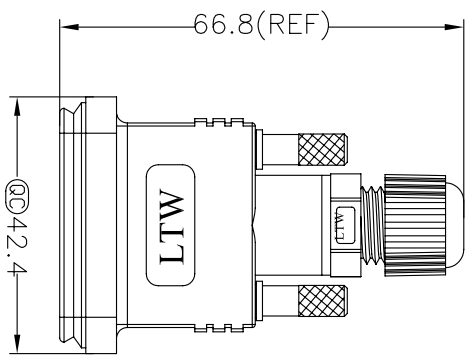


REV.	EQN. NO.	DATE	SIGN	DESCRIPTION



Note:

1. Materials

- ① Gasket : EPDM
 - ② Connector : D-SUB 9Pin, Pin: Brass,Gold Flash
 - ③ Housing : ABS,UL94V-0
 - ④ ⑤ Gasket : EPDM
 - ⑥ Screw : Brass,Nickel Plated
 - ⑦ O-Ring : Silicone
 - ⑧ Body : Nylon
 - ⑨ Seals : EPDM
 - ⑩ Sealing Nut : Nylon
2. Seals For Cable OD:ø3.5mm~ø7.0mm
3. Ⓞ Important Dimension.

⚠ Warning! Drawings & Specifications Are Subject To Change Without Notification

LTWSDB-09BFFA-SL7001	LTWSDB-09BMMA-SL7001
Pin1	Pin6
Pin6	Pin1
Pin5	Pin9
Pin9	Pin5

Pin Assignments Front View

UNIT : mm



TOLERANCE ±0.5mm

TITLE			
D-SUB 9Pin Assembly Type			
SCALE	Free	SHEET	1 of 1
REV.	A	SIZE	A4
Ⓞ :inspection Item			

LTTW

亮泰企業股份有限公司

ITEM NO	DRAWN BY	DATE
DWG NO	Ju Xiao Fang	2004/07/27
CUSTOMER	CHECKED BY	DATE
LTWSDB-09BXXA-SL7001	APPROVED BY	DATE