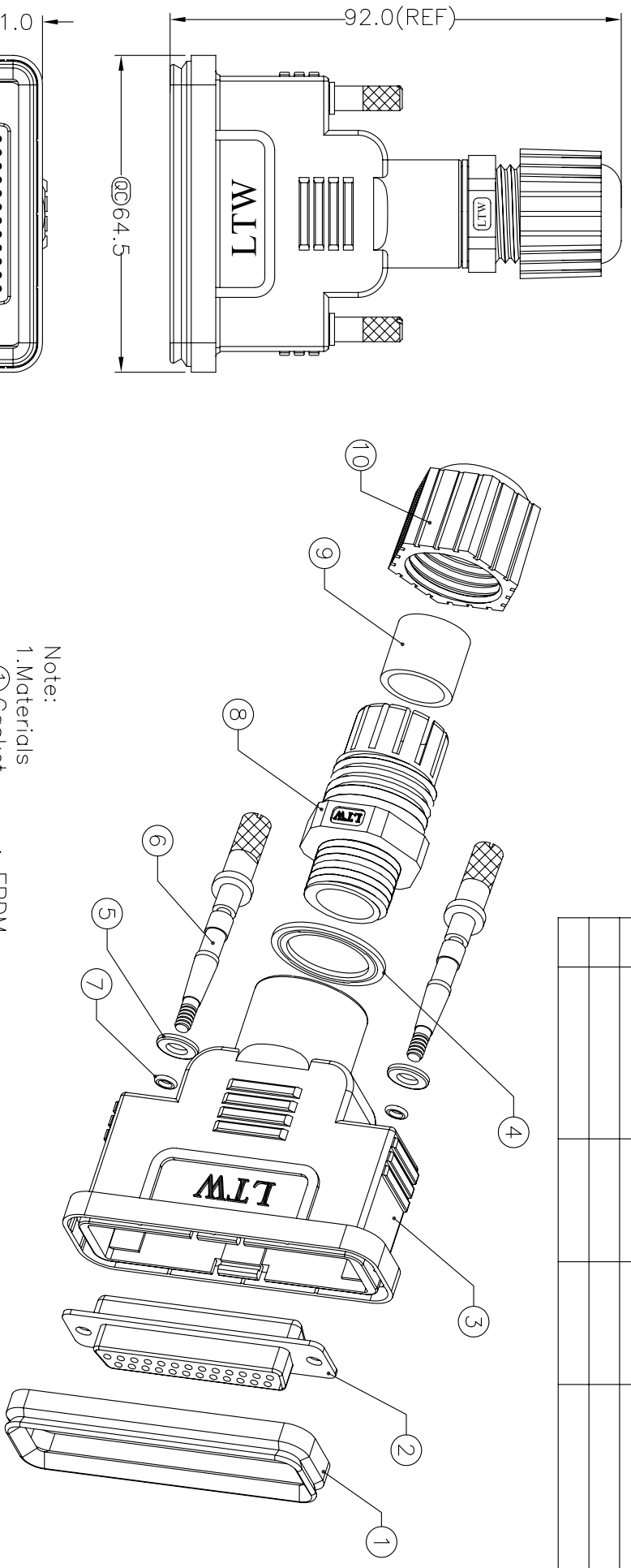


REV.	EQN. NO.	DATE	SIGN	DESCRIPTION



Note:

1. Materials

- ① Gasket : EPDM
 - ② Connector : D-SUB 25Pin, Pin: Brass,Gold Flash
 - ③ Housing : ABS,UL94V-0
 - ④ Gasket : EPDM
 - ⑤ Screw : Brass,Nickel Plated
 - ⑥ O-Ring : Silicone
 - ⑦ Body : Nylon
 - ⑧ Seals : EPDM
 - ⑩ Sealing Nut : Nylon
2. Seals for Cable OD:ø6.0mm~ø10.0mm
3. Ⓞ Important Dimension.

Warning! Drawings & Specifications Are Subject To Change Without Notification

Pin 1		Pin 14		Pin 1	
Pin 13		Pin 25		Pin 13	
Pin Assignments Front View					
LTWSDB-25BFA-SL7001					
LTWSDB-25BMA-SL7001					

UNIT : mm		TITLE		ITEM NO		DRAWN BY		DATE	
TOLERANCE		D-SUB 25Pin Assembly Type		1 of 1		Ju Xiao Fang		2004/07/27	
±0.5mm		SCALE Free		SHEET 1 of 1		CHECKED BY		DATE	
1		REV. A		SIZE A4		APPROVED BY		DATE	
2		⑩ :inspection item		4		亮泰企業股份有限公司		7	
3		5		6		8		FM-04-19-A1	