

**ebm-papst St. Georgen GmbH & Co. KG**

Hermann-Papst-Str. 1

D-78112 St. Georgen

Phone +49 (0) 7724 81-0

Fax +49 (0) 7724 81-1309

info2@de.ebmpapst.com

www.ebmpapst.com

Nominal data

Type	ACI 4410 HH	
Phase		1~
Nominal voltage	VAC	115
Nominal voltage range	VAC	85 .. 132
Speed	min ⁻¹	3350
Power input	W	4.4
Min. ambient temperature	°C	-20
Max. ambient temperature	°C	75
Air flow	m ³ /h	180
Sound power level	B	5.3
Sound pressure level	dB(A)	42

ml = max. load · me = max. efficiency · fa = running at free air · cs = customer specs · cu = customer unit
Subject to alterations

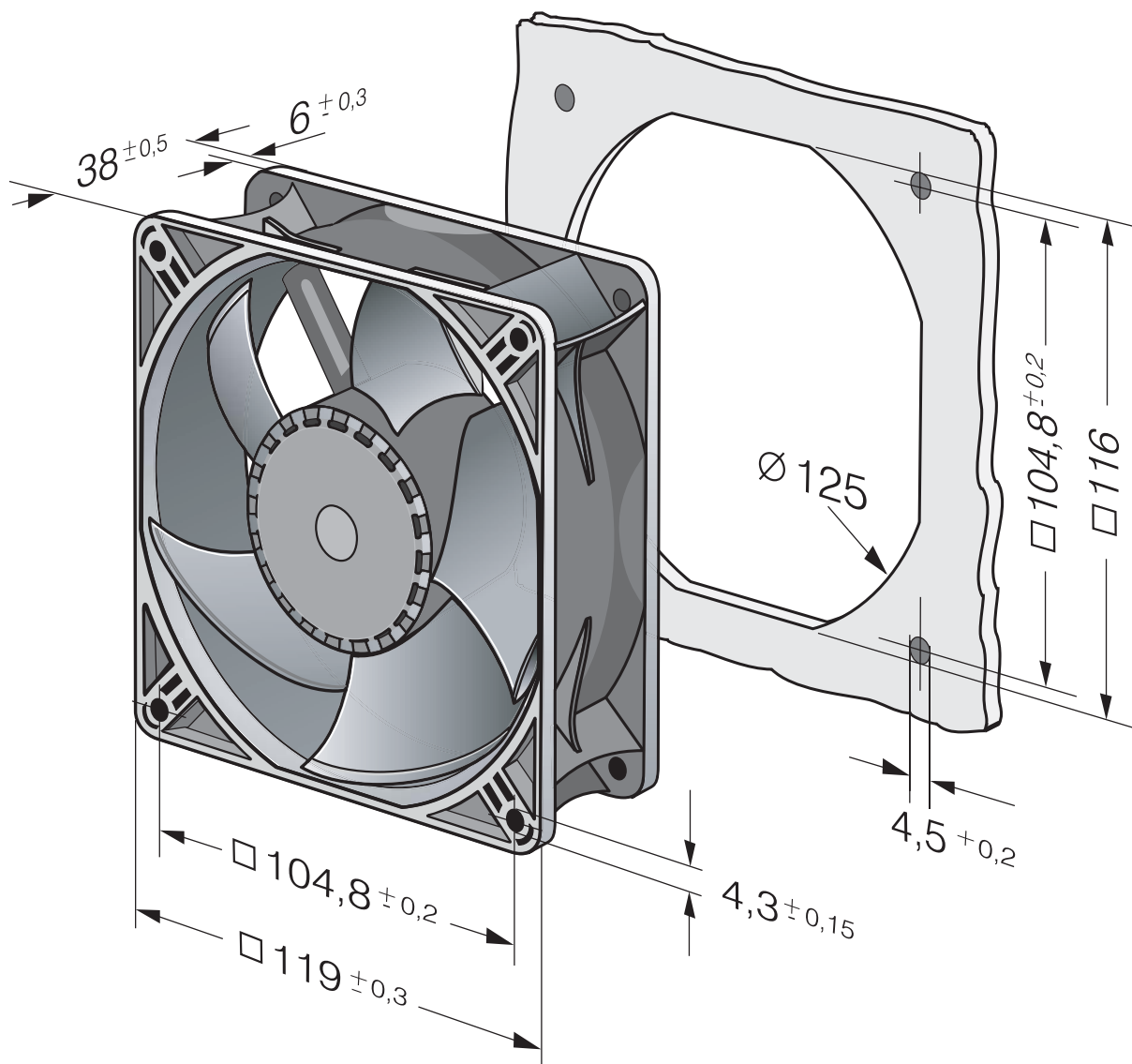


Technical features

Mass	0.25 kg
Dimensions	119 x 119 x 38 mm
Lifetime L10 at 40 °C	62500 h
Lifetime L10 at maximum temperature	30000 h



Product drawing



Charts

