

BOURNS®

Features

- Formerly J. W. Miller® model
- Power rating: 6 watts
- Operating frequency: 60 KHz ±25 %
- Tape and reel packaging
- RoHS compliant*

Applications

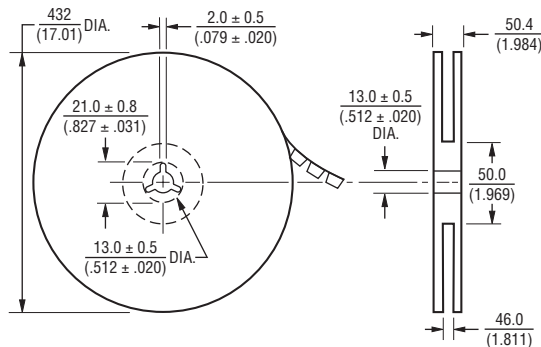
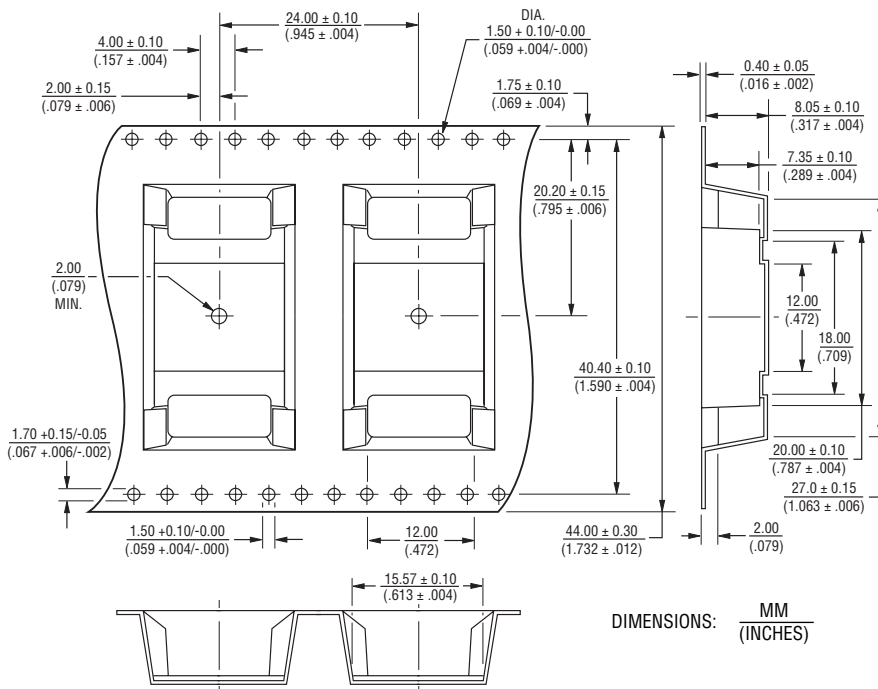
- LCD flat panel displays
- Notebook / palmtop computers
- Portable instruments
- Retail terminals

PM61300 Series - SMD CCFL Transformer

Electrical Specifications

Bourns Part No.	PRIMARY			SECONDARY			Turns Ratio
	L ±10 % @ 10 KHz (μH)	DCR Max. (Ω)	Voltage (V)	DCR Max. (Ω)	Voltage (V)	Irms (mA)	
PM61300-1-RC	44	0.61	25	132	1300	70	50
PM61300-2-RC	44	0.82	20	175	1300	70	67
PM61300-3-RC	27	1.10	15	175	1300	70	86
PM61300-4-RC	20	1.88	13	175	1300	70	100
PM61300-5-RC	20	2.34	10.5	290	1300	70	125

Packaging Specifications



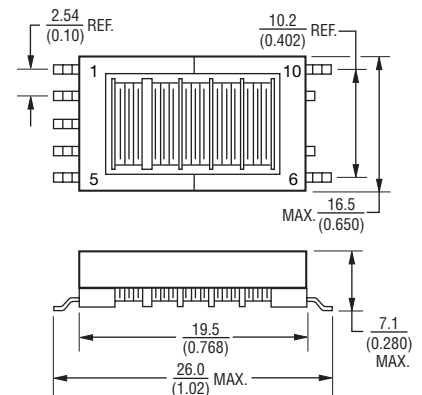
General Specifications

Operating Temperature -40 °C to +105 °C
 Storage Temperature -40 °C to +105 °C
 Soldering 245 °C, 5 seconds max.
 Dielectric Strength 1500 Vrms between windings

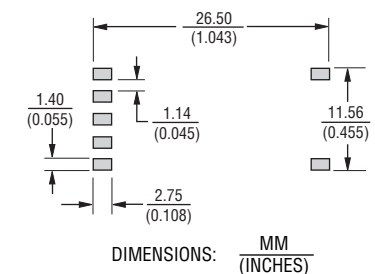
Materials

Core Ferrite
 Wire Polyester-coated copper
 Terminal Coating Sn
 Packaging 250 pcs. per 17-inch reel

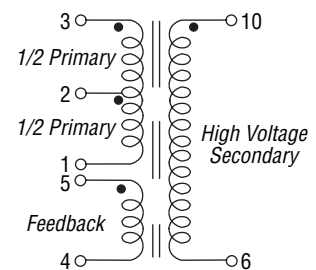
Product Dimensions



Recommended Pad Layout



Schematic



REV. 06/08

*RoHS Directive 2002/95/EC Jan. 27, 2003 including annex and RoHS Recast 2011/65/EU June 8, 2011. Specifications are subject to change without notice. Customers should verify actual device performance in their specific applications