

RoHS Compliant

Features

- Small size (5.5×3.8mm)
- Hermetic seal
- Excellent temperature characteristics

Applications

- Keyless Entry Systems
- Garage Openers
- Security Systems

How to Order

PARS 315.00 K 00 R
① ② ③ ④ ⑤

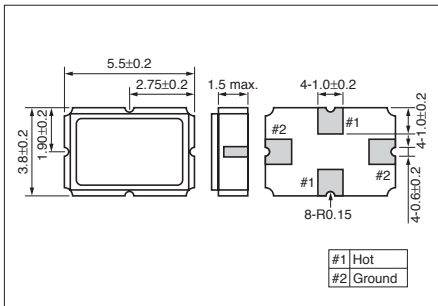
- ① Series
- ② Resonant Frequency (MHz)
- ③ Marking Code
- ④ Frequency Tolerance or Custom Spec.

00	±250kHz	04	±75kHz
01	±200kHz	05	±50kHz
02	±150kHz	11≤	Custom Spec.
03	±100kHz		

- ⑤ Packaging
R: Tape & Reel (2000 pcs./ Reel)

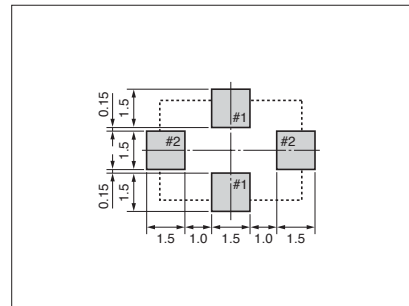
Dimensions

(Unit: mm)



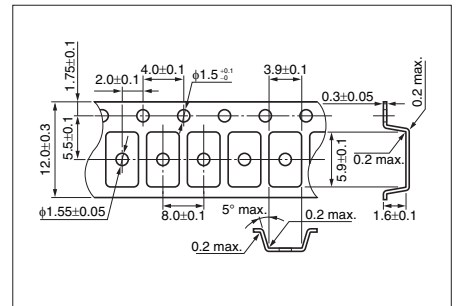
Recommended Land Pattern

(Unit: mm)



Packaging

(Unit: mm)

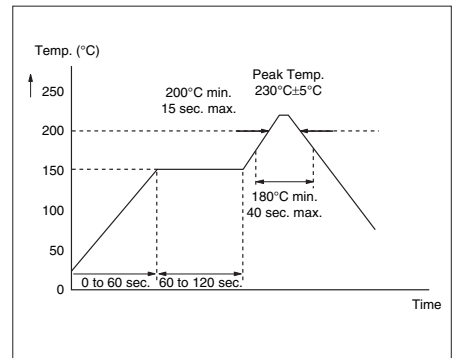


Specifications

Part Number	Resonant Frequency (MHz)	Resonant Loss (dB)	Parallel Capacitance (pF)	Temperature Characteristics (ppm/°C ²)	Operating Temperature (°C)	Storage Temperature (°C)
PARS315.00K04R	315.000±0.075	2.5 max.	3.2 max.	-0.03 typ.	-40 to +85	-40 to +85
PARS433.92K04R	433.920±0.075					

* Please contact your local sales office for custom frequency.

Recommended Reflow Profile





RoHS Compliant

Surface Acoustic Wave Resonator for Remote Keyless Entry System (RKE)

Features

- Small size
- High reliability
- Excellent temperature characteristics

Applications

- Remote Keyless Entry System (RKE)
- Garage Openers
- Security Systems

How to Order

PARM 315.00 K 04 R

- ① ② ③ ④ ⑤

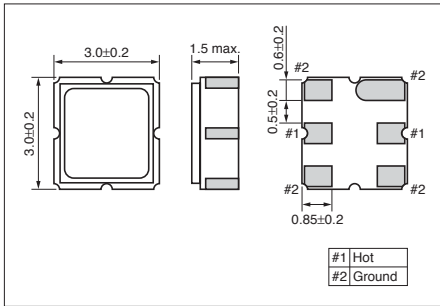
- ① Series
- ② Resonant Frequency (MHz)
- ③ Marking Code
- ④ Frequency Tolerance or Custom Spec.

00	±250kHz	04	±75kHz
01	±200kHz	05	±50kHz
02	±150kHz	11≤	Custom Spec.
03	±100kHz		

- ⑤ Packaging
R: Tape & Reel (2000 pcs./ Reel)

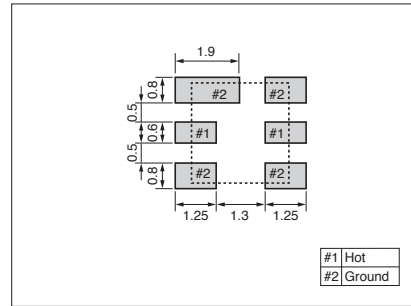
Dimensions

(Unit: mm)



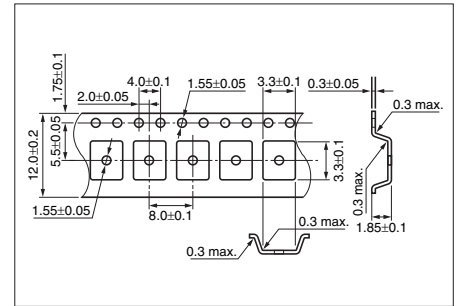
Recommended Land Pattern

(Unit: mm)



Packaging

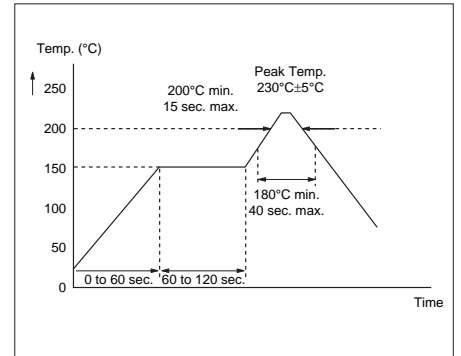
(Unit: mm)



Specifications

Part Number	Resonant Frequency (MHz)	Resonant Loss (dB)	Parallel Capacitance (pF)	Temperature Characteristics (ppm/°C)	Operating Temperature (°C)	Storage Temperature (°C)
PARM315.00K04R	315.000±0.075	2.5 max.	4.0 max.	-0.03 typ.	-40 to +85	-40 to +85
PARM433.92K04R	433.920±0.075					

Recommended Reflow Profile





RoHS Compliant

Surface Acoustic Wave Resonator for TPMS

Features

- Small size
- High reliability
- Excellent temperature characteristics

Applications

- Tire Pressure Monitoring System (TPMS)

How to Order

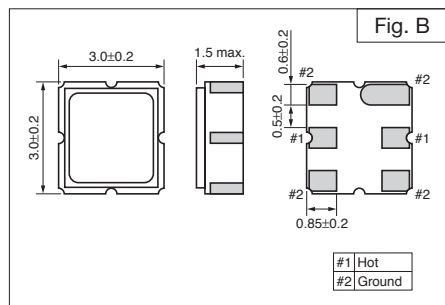
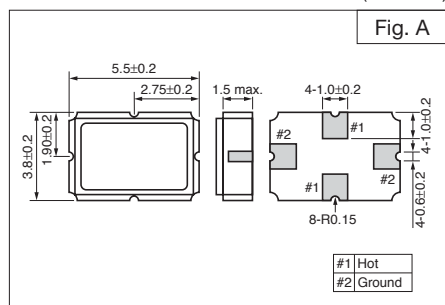
PARV 315000 A

- ① ② ③

- ① Series
- ② Resonant Frequency (kHz)
- ③ Type

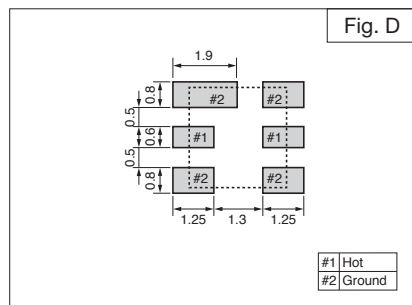
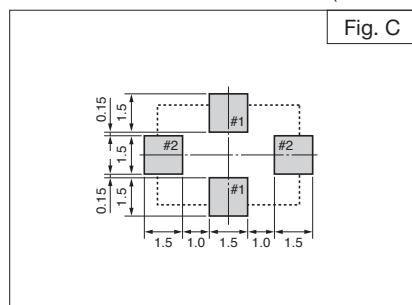
Dimensions

(Unit: mm)



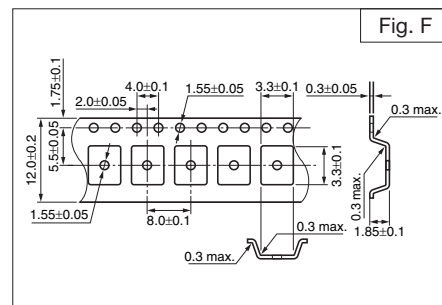
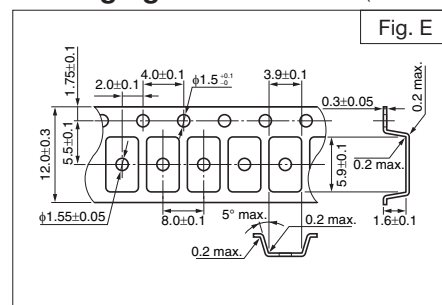
Recommended Land Pattern

(Unit: mm)



Packaging

(Unit: mm)



Specifications

Part Number	Resonant Frequency (MHz)	Resonant Loss (dB)	Parallel Capacitance (pF)	Operating Temperature (°C)	Storage Temperature (°C)	Dimensions	Recommended Land Pattern	Packaging
PARV315000A	315.000±0.100	2.0 max.	3.2 max.	-40 to 125	-40 to 125	Fig. A	Fig. C	Fig. E
PARV433920A	433.920±0.100	2.0 max.	3.2 max.	-40 to 125	-40 to 125	Fig. A	Fig. C	Fig. E
PARV315000E	315.000±0.100	2.0 max.	3.2 max.	-40 to 125	-40 to 125	Fig. B	Fig. D	Fig. F
PARV433920E	433.920±0.100	2.0 max.	3.2 max.	-40 to 125	-40 to 125	Fig. B	Fig. D	Fig. F

Recommended Reflow Profile

