

# 4200N Series

Tubeaxial

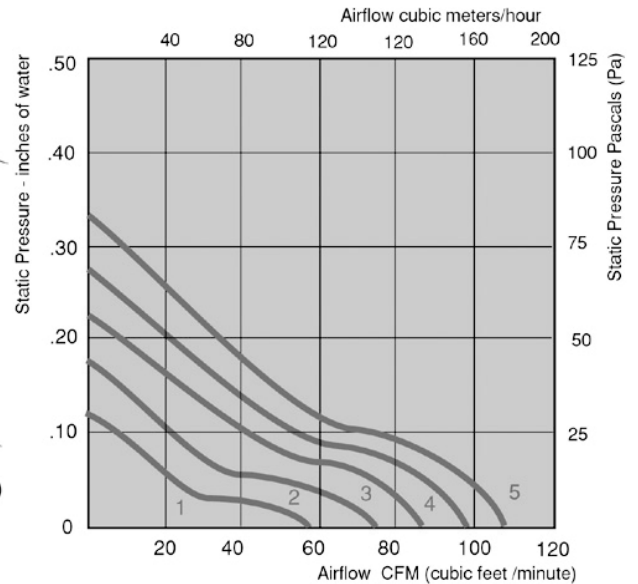
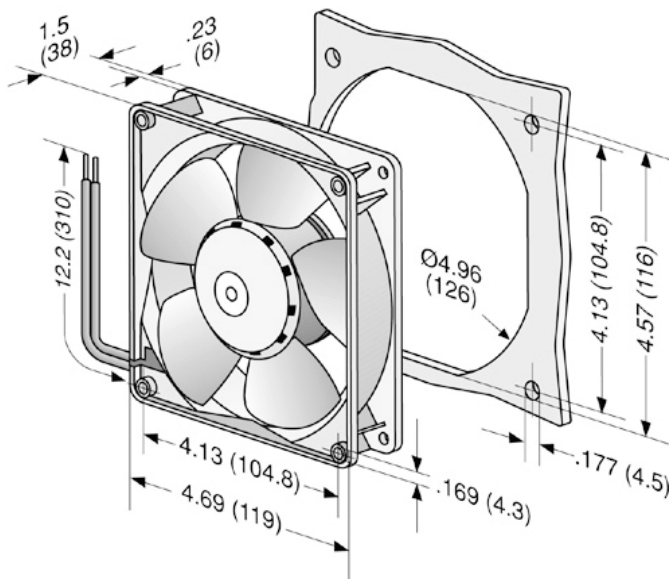
119x119x38mm



- DC fans with electronically commutated external rotor motor. Fully integrated commutation electronics.
- With electronic protection against reverse polarity, blocking and overloading; partially impedance protected.
- Mounting from either face using four 4.3 mm holes.

- Fan of fiberglass reinforced plastic. PBTP housing, PA impeller.
- Air exhaust over struts. Rotational direction CCW looking at rotor.
- Electrical connection via 2 leads AWG 22, TR 64. Stripped and tinned ends.
- UL, CSA, VDE approvals on some models, please contact application engineering.

Part Number	CFM @ 0	Curve	Volts	Voltage Range	Power (W)	dBA	Max Ambient Temp C	Wgt. (lbs)	Type Of Bearing	Features
4212NGL	59	1	12	7 to 14.5	1.4	28	70	0.63	Sintec	Leads
4212NL	59	1	12	7 to 14.5	1.1	28	70	0.63	Ball	Leads
4212NGML	75	2	12	7 to 14.5	2.2	35	70	0.63	Sintec	Leads
4212NML	75	2	12	7 to 14.5	1.9	35	70	0.63	Ball	Leads
4212NGM	85	2	12	7 to 14.5	3.0	38	70	0.63	Sintec	Leads
4212NM	85	3	12	7 to 14.5	2.8	38	70	0.63	Ball	Leads
4212NGN	97	2	12	7 to 14.5	4.0	42	70	0.63	Sintec	Terminals
4212NN	97	4	12	7 to 14.5	4.0	42	70	0.63	Ball	Leads
4212NGH	106	3	12	7 to 14.5	5.0	45	70	0.63	Sintec	Leads
4212NH	106	5	12	7 to 14.5	4.8	45	70	0.63	Ball	Leads
4212NHH	121	6	12	7 to 14.5	7.5	49	70	0.63	Ball	Leads
<hr/>										
4214NGL	59	1	24	12 to 28	1.4	28	70	0.63	Sintec	Leads
4214NL	59	1	24	12 to 28	1.2	28	70	0.63	Ball	Leads
4214NGML	75	2	24	12 to 28	2.2	35	70	0.63	Sintec	Leads
4214NML	75	2	24	12 to 28	1.9	35	70	0.63	Ball	Leads



# 4200N Series

Tubeaxial

119x119x38mm



- DC fans with electronically commutated external rotor motor. Fully integrated commutation electronics.
- With electronic protection against reverse polarity, blocking and overloading; partially impedance protected.
- Mounting from either face using four 4.3 mm holes.

- Fan of fiberglass reinforced plastic. PBTP housing, PA impeller.
- Air exhaust over struts. Rotational direction CCW looking at rotor.
- Electrical connection via 2 leads AWG 22, TR 64. Stripped and tinned ends.
- UL, CSA, VDE approvals on some models, please contact application engineering.

Part Number	CFM @ 0	Curve	Volts	Voltage Range	Power (W)	dBA	Max Ambient Temp C	Wgt. (lbs)	Type Of Bearing	Features
4214NGM	85	2	24	12 to 28	3.0	38	70	0.63	Sintec	Leads
4214NM	85	3	24	12 to 28	2.6	38	70	0.63	Ball	Leads
4214NGN	97	2	24	12 to 28	4.0	42	70	0.63	Sintec	Terminals
4214NN	97	4	24	12 to 28	3.6	42	70	0.63	Ball	Leads
4214NGH	106	3	24	12 to 28	5.0	45	70	0.63	Sintec	Leads
4214NH	106	5	24	12 to 28	4.8	45	70	0.63	Ball	Leads
4214NHH	121	6	24	12 to 28	7.5	49	70	0.63	Ball	Leads
<hr/>										
4218NN	97	4	48	36 to 56	3.6	42	70	0.63	Ball	Leads
4218NGH	106	3	48	36 to 56	5.0	45	70	0.63	Sintec	Leads
4218NH	106	5	48	36 to 56	4.8	45	70	0.63	Ball	Leads

